

EVEREADY
Appliances



CEILING FAN



EVEREADY >>>
INDUSTRIES INDIA LTD.

1, Middleton Street, Kolkata-700071, India
Consumer Care - address as above - Ph. 1800-102-4041
Email: appliancecare@eveready.co.in

SUPER FAB

2YEAR
WARRANTY

USER MANUAL

* Images are only indicative.
Actual product may differ from the one shown on the carton.

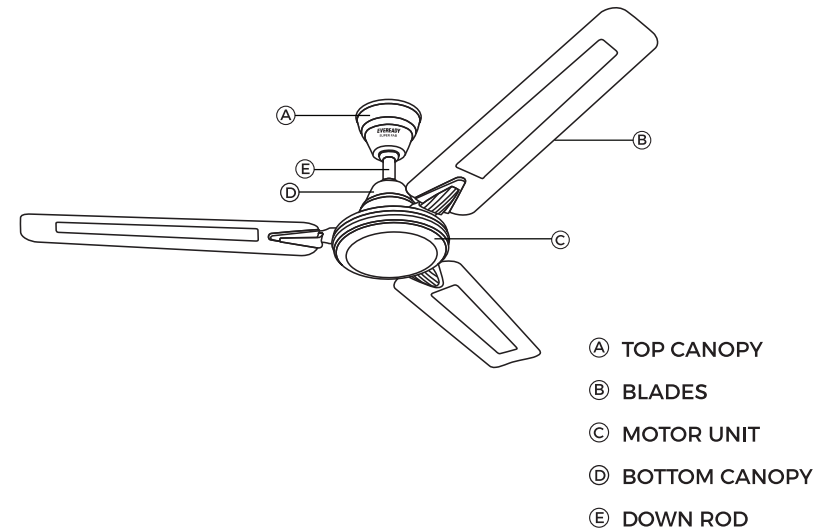
IMPORTANT SAFEGUARDS

This product is designed and intended for household use only.

Please read all the instructions carefully before using Eveready Ceiling Fan, even if you are familiar with the product and place it handy for future reference.

1. Ensure that the voltage specified on rating label of your product corresponds to your house electricity supply voltage. If you are unfamiliar with electrical wiring methodology, please call for a qualified and licensed technician.
2. Do not operate the product when it is damaged or it works improperly. Contact your nearest authorized service facility for examination, repair or adjustments to avoid hazards.
3. The use of attachment or accessories not recommended or sold by Eveready may result in fire, electric shock or personal injury.
4. When cutting or drilling into the ceiling, care should be taken to avoid damaging electrical wiring or other hidden utilities.
5. Make sure the fan is mounted on the ceiling with a clear gap of minimum 2.3m from floor and blades have clear space for installation and rotation.
6. Do not try to place or insert any object in blade rotation area when the fan is in operation.
7. During installation or service, ensure that the mains power supply has been switched off.
8. To clean, wipe the exterior with a damp cloth and handle blades carefully.

PARTS IDENTIFICATION



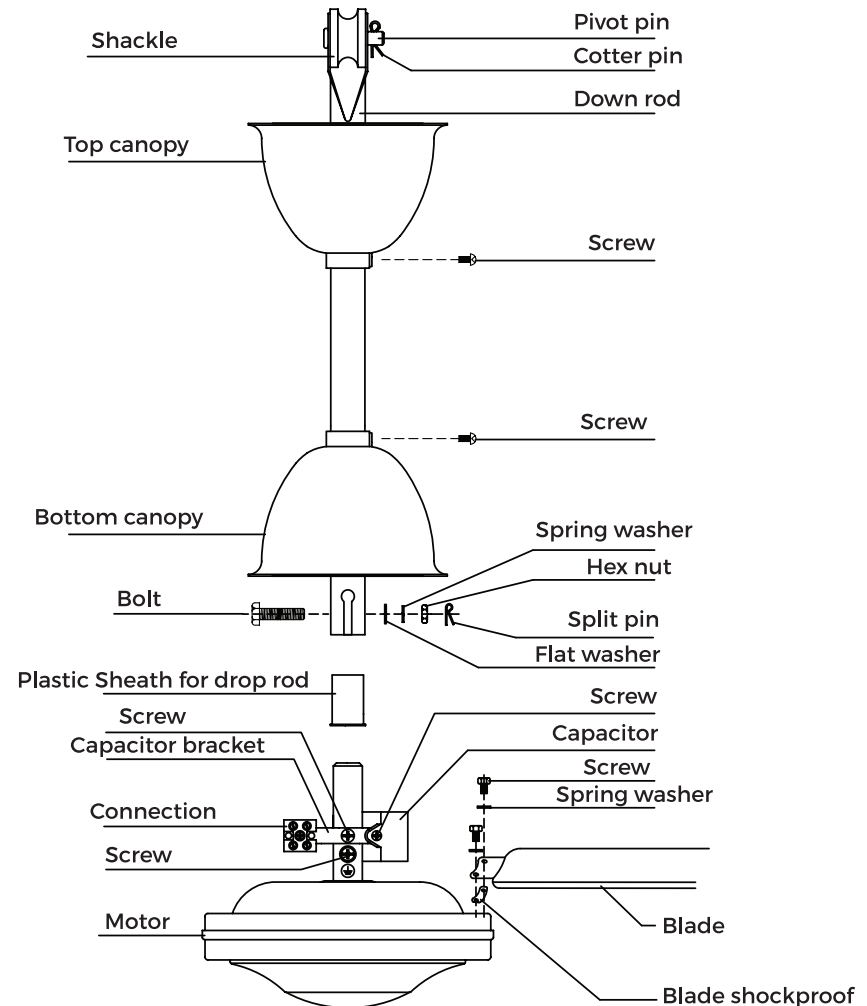
BEFORE FIRST USE

- Check the contents of motor unit. They should include
 - One motor unit
 - Top & Bottom Canopy cups
 - One Shackle with locking bolt set
 - One bolt set
 - One down rod
 - One resistor type regulator
- Blade box should contain three pieces of aerodynamically balanced blades

UNPACKING AND USAGE

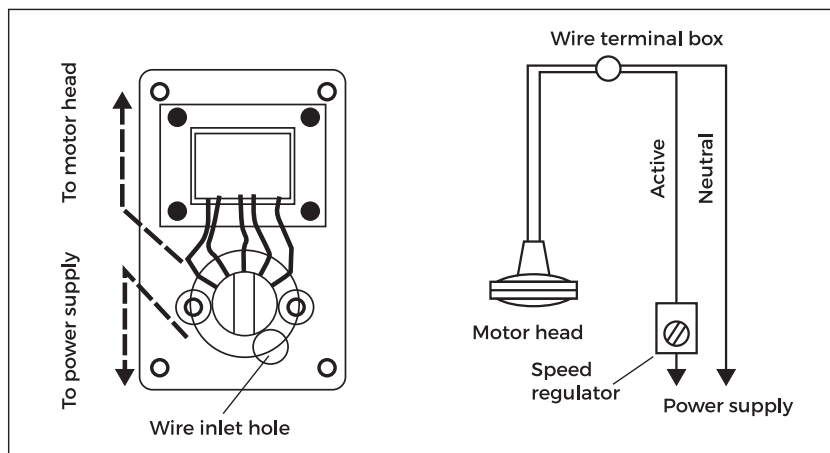
- Carefully remove the motor unit from the box and place it on a thick cloth surface avoiding any possible scratches
- Remove the Rod cap from the tube and slide the bottom canopy over the rod tube followed by the top canopy
- Route the supply wire from the cap side of rod and pull it free from the split side of the rod
- From the bolt assembly, which is supplied along with shackle assembly, carefully unassemble split pin, hexagonal nuts and spring washer
- Slide the Split end of the rod over the motor shaft. Align the cross holes of rod and motor shaft and insert the bolt, assemble the spring washer and locking nuts firmly in place. Two spanners will be needed to ensure that the bolt is fully tightened. Then insert the split pin and spread its projected ends once assembled
- By holding the bottom canopy up, connect the wires to terminal block. Ensure right connections are made and supply wire does not touch the motor body surface. Pull the bottom canopy down and tighten with grub screw if provided
- Remove the split pin, locking hex nuts and spring washer from shackle assembly, slide the shackle clip assembly over the top end of rod, align the holes and insert the bolt through shackle clip and rod holes on top. Place spring washer and tighten the locking nut fully well by using spanners. Now insert the split pin and spread its projected ends once assembled
- Hang the fan carefully by ceiling hook. Pull the top canopy in place and lock it in position with a grub screw if provided
- Connect regulator in series with the fan
- Mount the blades in correct angle without distortion and tighten them fully well in place
- Ensure that the earthing conductor of household wiring is connected to the earthing conductor of the fan
- Now switch on the mains supply and using the regulator, the fan speed can be controlled

ASSEMBLY INSTRUCTIONS



INSTRUCTIONS FOR INSTALLATION

1. Take care so as not to damage the paint or damage/bend the blades, while unpacking.
2. Place the fan motor on clean thick cloth to protect the paint on the bottom from scratches.
3. Remove split pin. Hex. nut and spring washer and bolt from the shackle. Align the holes of shackles and down rod pipe and pass bolt through them, insert spring washer and hex nut from the other side and tighten the nut fully. Insert split pin and spread its end.
4. Insert supply wires through the side hole at the top of the rod pipe and take them out through the side holes at the bottom and slide down the top canopy and bottom canopy down the rod.
5. Insert downrod pipe over the motor assembly shaft and align the holes for Bolt.
6. Insert Bolt through the hole. Place spring washer and hex nut from the other side and TIGHTEN NUT FULLY WITH SPANNER. Fix split pin and spread its end.



7. Connect supply wires to the terminals provided in the motor terminal block as shown in assembly instruction.
8. Now, hang up the fan at the installation point.
10. Loosen the screw of top canopy and position it correctly. Tighten the screw.
11. Fix the 3pcs plastic blade cover onto the three blades using the screw which can be found fixed on motor. Remove blade fixing screw from motor assembly. Align holes of blades and tapped hole of motor. TIGHTEN THE SCREWS FULLY.
12. Each fan is provided with a resistance type speed regulator designed to give uniform speed regulation at successive steps. The regulator has 5 running positions and one off.
13. Ensure that the household main earthing is connected to the earthing conductor of the fan.

TECHNICAL SPECIFICATION

Model No.	CEILING FAN, SUPER FAB
Power	70W
Voltage	230V
Frequency	50Hz
Sweep	1200mm