

EVEREADY
Appliances



FULL APPLE JUICER



EVEREADY >>>
INDUSTRIES INDIA LTD.

1, Middleton Street, Kolkata-700071, India
Consumer Care - address as above - Ph. 1800-102-4041
Email: appliancecare@eveready.co.in

J700

2YEAR
WARRANTY

700 W

USER MANUAL

* Images are only indicative.
Actual product may differ from the one shown on the carton.

IMPORTANT SAFEGUARDS

This product is designed and intended for household use only.

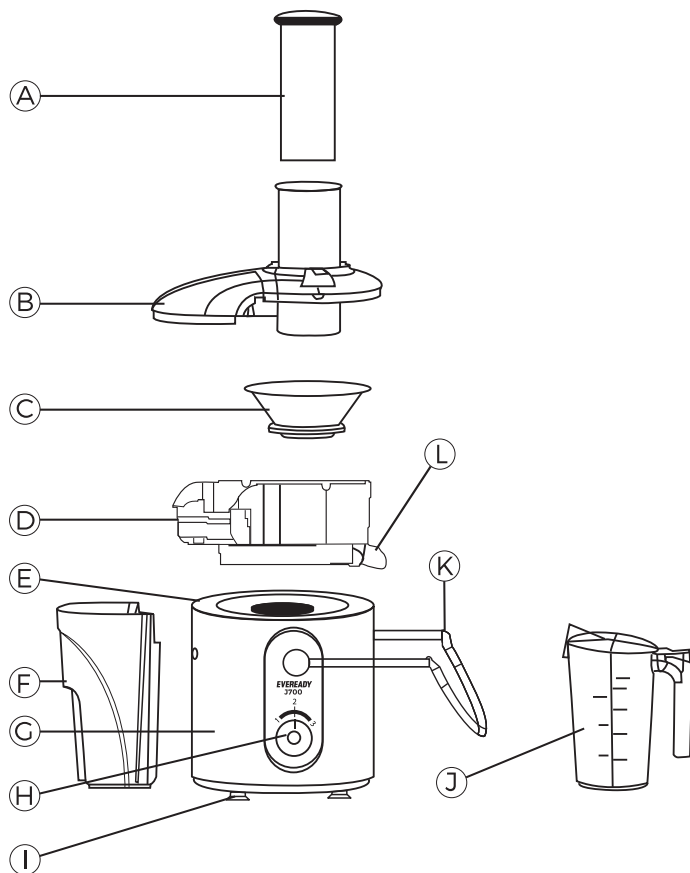
Please read all the instructions carefully before using Eveready Full Apple Juicer, even if you are familiar with the product then also place it handy for future reference.

1. Ensure that the voltage specified on rating label of your product corresponds to your house electricity supply voltage before plug in.
2. To protect against electrical hazards, do not immerse the product, electrical cord or plug in water or any other liquid.
3. Place the product on a flat, dry surface before any operation.
4. Never operate the product unless the lid is secured in place and do not leave it unattended.
5. Do not run the Juicer without load for long time.
6. Juice container provided with this Juicer should not be used for storage. Pulp chamber should be emptied and cleaned thoroughly after each use.
7. Keep Juicer atleast 6 inches away from the wall.
8. Do not operate the appliance when it is damaged or it works improperly. Sieve should never be used if it has deformed or been damaged. Bring the appliance to the nearest authorized service facility for examination, repair or adjustments to avoid any hazard.
9. Switch off and remove the plug from the power outlet when it is not in use or before assembling and disassembling parts, cleaning or carrying out any maintenance of the appliance.
10. When using extension cord with your appliance, make sure that the extension cord is correctly wired and rated for its use.
11. Do not leave the appliance unattended when it is connected to the main supply outlet.

12. Never remove the cover, unless the sieve has completely stopped rotating.
13. Use the pusher provided to push fruits with slight pressure for juicing. Never use your finger to push fruits down for juicing.
14. Do not let the power cord hang over the edge of a table, counter or in touch of any hot surface.
15. When unattended and while fixing it's sieve, ensure that the speed switch is in off position.
16. Keep the appliance out of reach of children at all times. Close supervision is necessary when used near children or by physically challenged persons or by people who lack experience to use same appliance.
17. Do not abuse the power cord. Never carry the juicer by the power cord or yank it to disconnect it from the outlet, instead, grasp the plug and pull out to disconnect.
18. The use of attachment or accessories not recommended or sold by Eveready may result in fire, electric shock or personal injury.
19. To clean, wipe the exterior with a damp cloth and handle blades carefully as they have sharp edges.
20. The appliance is intended for household use and not to be used at outdoors.

Do not operate or place any part of this product on or near any hot surface (such as gas or electric burner or near a heated oven).

PARTS IDENTIFICATION



- A. Pusher
- B. Transparent cover
- C. Sieve
- D. Separator
- E. Coupler
- F. Pulp container

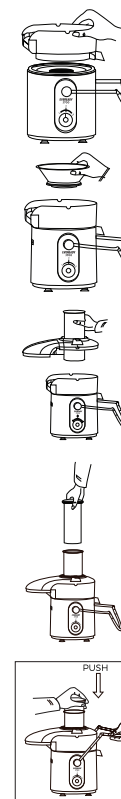
- G. Main body
- H. Knob
- I. Anti-skid feet
- J. Juice container
- K. Handle
- L. Spout

BEFORE USE

1. Remove all packing material carefully
2. Please pay attention to the below points before using it:
 - Clean all parts under running water (A, B, C, D, F, J)
 - Make sure that the knob is in off position
 - Please wash all fruits and vegetables, cut these into suitable pieces before extracting juice

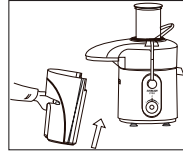
ASSEMBLY

- 1) Place the Separator on the main body
- 2) Put the Sieve (C) onto the coupler (E) and then press tightly in place
- 3) Put transparent cover (B) onto the middle body (G)
- 4) Put pusher (A) into the feeding chute
- 5) Lock the handle (K) in place, in order to operate the lever on the safety switch in the main body. Otherwise, motor will not operate unless safety switch is pressed in position.

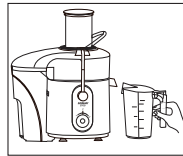


NOTE: While locking the handle in place, you need to press the cover down, else the safety switch will not get pressed and juicer will not operate. If the juicer still does not operate, you will need to press the cover and lock the handle to operate.

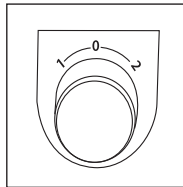
6) Place Pulp container (F) under the residue exit of the middle body (D)



7) Place juice container (J) under the spout (L)



8) Connect the plug as per rated voltage, turn knob to "1" or "2" (H).



The motor starts to operate, place fruits or vegetables in feeder tube, and press it slowly, using pusher. Please note that you need to turn the Knob to "1" in case of soft food such as Melon, Cucumber, Tomatoes, Pineapple, etc. Turn the switch to "2" in case of rigid food such as Carrot, Apple, Beetroot etc.

ATTENTION

- A. For effective juicing result, please don't press the pusher rapidly.
- B. Juicer should be in power off mode while cleaning pulp container
- C. Please clear the pulp collector sieve and cover frequently to avoid overloading of motor

CLEANING THE JUICER

- Post usage, please turn the knob to "0" position and switch off power supply to Juicer. Disassemble parts and wash them thoroughly under running water. Dry them and again assemble them back in position.
- Main body should never be immersed in water, use wet cloth to wipe the exterior surface.
- In order to have best juicing results, the sieve needs to be thoroughly cleaned and washed before and after each use.

NOTE:

- Ensure that the Juicer is laid on a flat, dry surface before use.
- The Cover and Handle needs to be pressed in position for safety switch to operate, else the unit will not power on.
- Your Juicer motor has a thermal detecting device, which cuts off power to motor during overload. Under such circumstance, unplug the appliance from power supply and let the motor cool down for 10-15 minutes before operating again.
- Do not operate the machine continuously under load for more than a minute.
- While storing it for a long period of time, store it in dry ventilated place

TECHNICAL SPECIFICATION

Model	FULL APPLE JUICER, J700
Power	700W
Voltage	230V, AC
Frequency	50Hz