

EVEREADY
Appliances



**CEILING
FAN**



EVEREADY >>>
INDUSTRIES INDIA LTD.

1, Middleton Street, Kolkata-700071, India
Consumer Care - address as above - Ph. 1800-102-4041
Email: appliancecare@eveready.co.in

RHOMBUS **2 YEAR**
WARRANTY

USER MANUAL

* Images are only indicative.
Actual product may differ from the one shown on the carton.

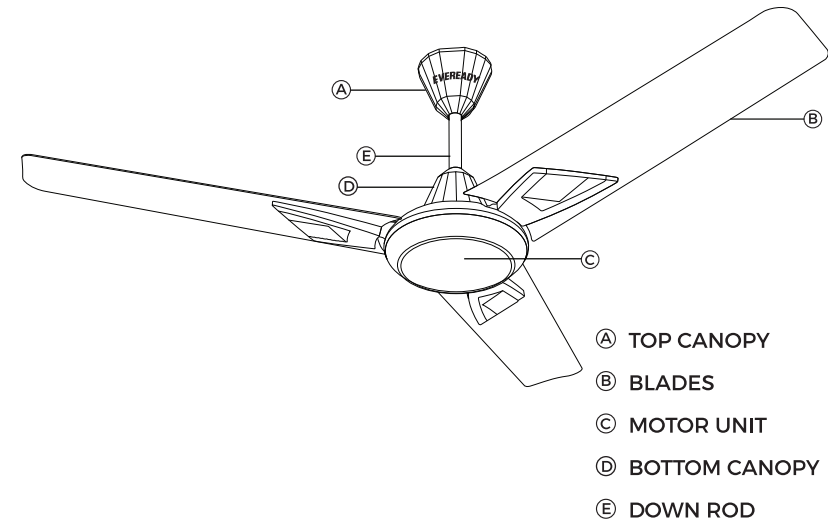
IMPORTANT SAFEGUARDS

This product is designed and intended for household use only.

Please read all the instructions carefully before using Eveready Ceiling Fan, even if you are familiar with the product and place it handy for any future reference.

1. Ensure that the voltage specified on the rating label of your appliance corresponds to your house electricity supply voltage. If you are unfamiliar with the electrical wiring methodology, please call for a qualified and licensed technician.
2. Do not operate the product when it is damaged or it works improperly. Contact your nearest authorised service facility for the examination, repair or adjustments to avoid any hazard.
3. The use of attachments or accessories which are not recommended or sold by Eveready, may result in fire, electric shock or personal injury.
4. When cutting or drilling into the ceiling, care should be taken to avoid damaging the electrical wiring or other hidden utilities.
5. Make sure that the fan is mounted on the ceiling with a clear gap of minimum 2.3m from the floor and blades have a clear space for installation and rotation.
6. Do not try to place or insert any object in blade-rotation area when the fan is in operation.
7. During the installation or service, ensure that the main power supply has been switched off.
8. To clean the fan, wipe the exterior with a damp cloth and handle blades carefully.

PARTS IDENTIFICATION



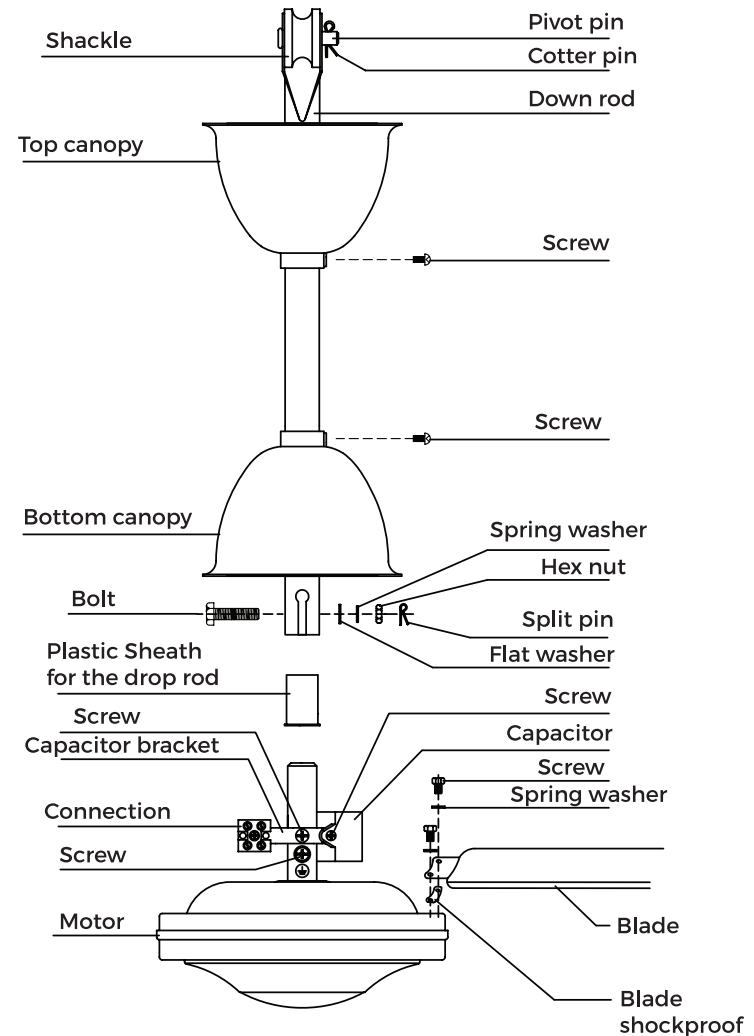
BEFORE THE FIRST USE

- ☐ Check the contents of the motor unit. It should include
 - One motor unit
 - Top & Bottom Canopy cups
 - One Shackle with locking bolt set
 - One bolt set
 - One down rod
- ☐ Blade box should contain three pieces of aerodynamically balanced blades

UNPACKING AND USAGE

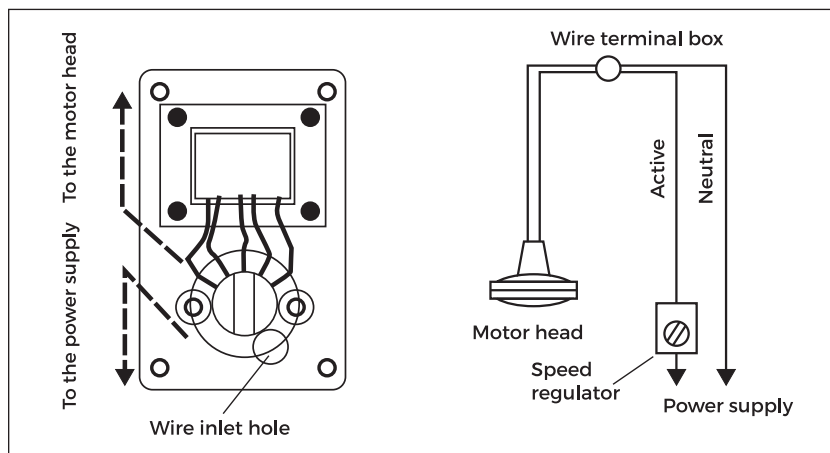
- Carefully remove the motor unit from the box and place it on a thick cloth surface, by avoiding any possible scratches
- Remove the Rod cap from the tube and slide the bottom canopy over the rod followed by the top canopy
- Route the supply wire from the cap side of this rod and pull it free from the split side of the rod
- From the bolt assembly, which is supplied along with the shackle assembly, carefully unassemble the split pin, hexagonal nuts and the spring washer
- Slide the Split end of the rod over the motor shaft. Align the cross holes of the rod and motor shaft and insert the bolt, assemble the spring washer and locking nuts firmly in place. Two spanners will be needed to ensure that the bolt is fully tightened. Then insert the split pin and spread its projected ends once assembled
- By holding the bottom canopy up, connect the wires to the terminal block. Ensure that connections are made properly and supply wire does not touch the motor body surface. Pull the bottom canopy down and tighten it with the grab screw if provided
- Remove the split pin, after locking the hex nuts and spring washer from the shackle assembly, slide the shackle clip assembly over the top end of the rod, align the holes and insert the bolt through the shackle clip and rod holes on top. Place the spring washer and tighten the locking nut fully well by using spanners. Now insert the split pin and spread its projected ends once assembled
- Hang the fan carefully by the ceiling hook. Pull the top canopy in place and lock it in position with a grab screw if provided
- Connect the regulator in series with the fan
- Mount the blades in correct angle without any distortion and tighten them fully well in place
- Ensure that the earthing conductor of the household wiring is connected to the earthing conductor of the fan
- Now switch on the main supply and using the regulator, the fan speed can be regulated

ASSEMBLY INSTRUCTIONS



INSTRUCTIONS FOR INSTALLATION

1. Take care so as not to damage the paint or damage/bend the blades, while unpacking.
2. Place the fan motor on a clean thick cloth to protect the paint on the bottom from scratches.
3. Remove the split pin. Hex. nut and spring washer and the bolt from the shackle. Align the holes of shackles and the down-rod and pass the bolt through them, insert the spring washer and hex nut from the other side and tighten the nut fully. Insert the split pin and spread its end.
4. Insert supply wires through the side hole at the top of the rod and take those out through the side holes at the bottom and slide down the top canopy and bottom canopy down the rod.
5. Insert down-rod over the motor assembly shaft and align the holes for Bolt.
6. Insert the Bolt through the hole. Place the spring washer and hex nut from the other side and **TIGHTEN THIS NUT FULLY WITH A SPANNER**. Fix the split pin and spread its end.



7. Connect supply wires to the terminals provided in the motor terminal block as shown in the assembling instruction.
8. Now, hang up the fan at the installation point.
10. Loosen the screw of the top canopy and position it correctly. Tighten the screw.
11. Fix the 3pcs plastic blade covers onto the three blades using the screw which can be found fixed on the motor. Remove the blade fixing screw from the motor assembly. Align holes of blades and tapped hole of the motor. **TIGHTEN THE SCREWS FULLY**.
12. Ensure that the household main earthing is connected to the earthing conductor of the fan.

TECHNICAL SPECIFICATION

Model No.	CEILING FAN, RHOMBUS
Power	70W
Voltage	230V
Frequency	50Hz
Sweep	1200mm