

EVEREADY

Appliances



CHOPPER



EVEREADY >>>
INDUSTRIES INDIA LTD.

1, Middleton Street, Kolkata-700071, India
Consumer Care - address as above - Ph. 1800-102-4041
Email: appliancecare@eveready.co.in

CHV101

2 YEAR
WARRANTY

200W

USER MANUAL

*Images are only indicative.
Actual product may differ from the one shown on the carton.

IMPORTANT SAFEGUARDS

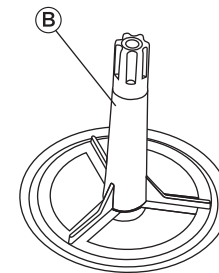
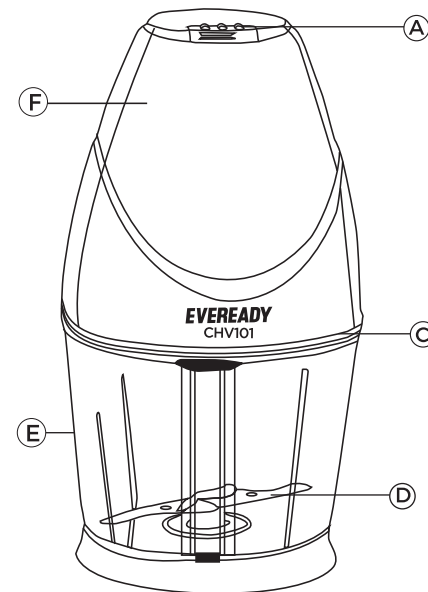
This product is designed and intended for household use only.

Please read all the instructions carefully before using Eveready Chopper. Even if you are familiar with the product then also place it handy for future reference.

1. Ensure that the voltage specified on rating label corresponds to your house power supply voltage before plug in.
2. Do not immerse the plug or the power cord in water or any other liquid.
3. Never operate the product unless bowl and lid are secured in place and do not leave it unattended.
4. Do not operate the Chopper with empty bowl.
5. Chopper bowl provided with this product should not be used for storage or other uses.
6. Stop operating the product when it is damaged or it works improperly. Bring the product to nearest authorized service facility for testing, repair or adjustments to avoid hazards.
7. Switch off and remove the plug from the power outlet when not in use, before assembling and disassembling parts, cleaning and maintenance of the appliance.
8. When using extension cord make sure the extension cord is properly wired and rated for its use.
9. Never leave the product unattended when it is connected to main supply outlet.
10. Do not let the cord hang over the cooking counter or touch hot surfaces.
11. When unattended and while fixing jars, ensure that operating switch is not pressed.
12. Keep the product out of reach of children at all times. Close supervision is necessary when used by physically challenged person or by people who lack experience in using the appliance.

13. Do not abuse the power cord. Never carry the product by the cord or yank it to disconnect, instead hold the plug and pull out.
14. The use of attachment or accessories not recommended or sold by Eveready may result in fire, electric shock or injuries.
15. To clean, wipe the exterior of motor unit with a damp cloth.
16. Handle chopping blades carefully since they have sharp edges.
17. Do not operate or place any part of this product on/near any hot surfaces (such as gas or electric burner or a heated oven).

PARTS IDENTIFICATION



- Ⓐ Operating switch
- Ⓑ Whisking attachment
- Ⓒ Cover lid
- Ⓓ Stainless steel blade
- Ⓔ Chopping bowl
- Ⓕ Motor housing

BEFORE FIRST USE

- Remove all packing materials around the product
- Lift the motor unit out and remove the lid
- Carefully remove the blade
- Clean bowl, lid and blades under running water with utmost care being taken when handling blade
- After drying, assemble all the parts carefully back in place
- Now your product is ready for use

CAUTION

- Fill the chopping bowl with ingredients for optimal results-heavy ingredients like meat, poultry, etc. may be filled to max half the bowl capacity; and lighter other sundry ingredients upto 2/3rd of the bowl
- Large ingredients that need to be chopped, have to be cut to 2cm size approximately
- During operation, if ingredients stick to the side of chopping bowl, use spatula or wooden spoon to crease the ingredients. Never use your hand or finger as they might get cut
- Do not operate the chopper with any hot ingredient exceeding 60°C temperature

HOW TO USE

- Ensure that the SS blade / whipping blade is set well in position on the central shaft
- Now pour / place the ingredients that need to be chopped/mixed in the bowl. Pour little water/oil (if needed)
- Place the lid back in place and place the motor unit aligning the motor shaft with blade shaft
- Plug the power cord to power socket and switch on
- Press the operating switch for chopping. Do not press the chopper for more than 20 seconds in one go. Keep a minimum gap of 3-4 seconds between two consecutive operations
- Once ingredients have reached desired chopping level, switch off the power supply
- Whipping blade is used for whipping cream, making lassi etc as desired

Remove the motor unit from position and carefully remove lid and blade. Keep them aside before emptying the bowl

TECHNICAL SPECIFICATION

| | |
|-----------|-----------------|
| Model | CHOPPER, CHV101 |
| Power | 200W |
| Voltage | 230V, AC |
| Frequency | 50Hz |