

EVEREADY

Appliances



DRY IRON



EVEREADY >>>
INDUSTRIES INDIA LTD.

1, Middleton Street, Kolkata-700071, India
Consumer Care - address as above - Ph. 1800-102-4041
Email: appliancecare@eveready.co.in

IS:366 - 1991

CM/L 0009624891

SAFETY

IS:302-2-3
CM/L 0009624992

DI220

**2 YEAR
WARRANTY**

750 W

USER MANUAL

* Images are only indicative.
Actual product may differ from the one shown on the carton.

IMPORTANT SAFEGUARDS

This product is designed and intended for household use only.

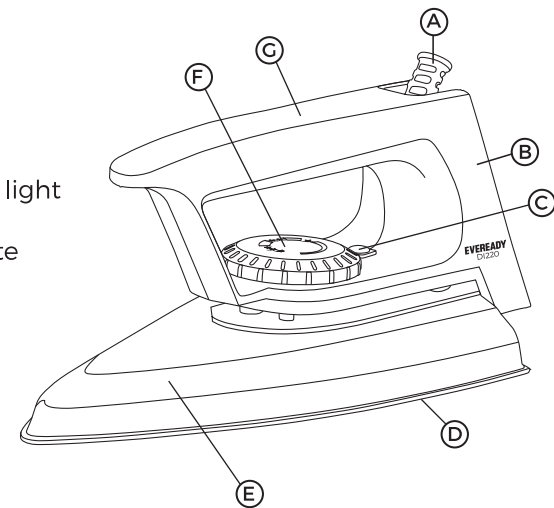
Please read all the instructions carefully before using Eveready Dry Iron, even if you are familiar with the product and place it handy for future reference.

1. Do not immerse the appliance, power cord or plug in water or any other liquid.
2. Ensure that the voltage specified on rating label of your product, corresponds to your house electricity supply voltage before plug in. Ensure wall socket is properly earthed.
3. Do not operate the product when it is damaged or it works improperly. Bring the product to the nearest authorized service facility for examination, repair or adjustments to avoid any hazard.
4. Switch off and remove the plug from the power outlet when it is not in use.
5. When using extension cord with your product, make sure that the extension cord is correctly wired and rated for its use.
6. Do not leave the product unattended when it is connected to the main supply outlet.
7. Do not let the power cord hang over the edge of a table, counter or in touch of hot surfaces.
8. Do not wind the power cord around the soleplate while the iron is still hot.
9. Avoid touching the soleplate which is a hot surface, use the handle and the knob.
10. Keep the product out of reach of children at all times. Close supervision is necessary when used near children or by physically challenged people or by those who lack experience of using the same appliance.
11. Never carry the product by the power cord or yank it to disconnect it from the outlet, instead, grasp the plug and pull out to disconnect.

12. Do not drop the iron.
13. Always rest the iron on its heel.
14. Do not operate or place any part of this product on or near any hot surface (such as gas or electric burner or on a heated oven).
15. Always place and use the iron on a stable, leveled and horizontal surface.
16. The soleplate of the iron can become extremely hot and may cause burns if touched.
17. When you have finished ironing, or when you leave the iron unattended even for a short while, place the iron on its heel and remove the main plug from the wall socket.

PARTS IDENTIFICATION

- Ⓐ Power Cord
- Ⓑ Heel Rest
- Ⓒ Heating Indicator light
- Ⓓ Non-stick soleplate
- Ⓔ Metal Cover
- Ⓕ Temperature Control Knob
- Ⓖ Handle



BEFORE FIRST USE

- Remove any sticker or protective covering from the soleplate.
- Unwind and straighten the electrical power cord
- Connect the iron to a suitable main supply outlet. The indicator light glows
- Turn the Temperature dial to '★★★' (3 dots) setting
- The neon indicator goes off when the required temperature is reached
- Iron a damp towel for removing any protective chemical left on the soleplate. After a few minutes the iron is ready for proper use

IRONING

- Connect the iron to a suitable main supply outlet
- Turn the temperature dial in clockwise direction, select the kind of textile to be ironed against pointer according to the recommendation of the garment label
- Red neon indicator glows indicating the iron is switched on and heating up
- When the required temperature is reached; the neon indicator goes off
- The iron is now ready to use
- Switch off the iron after use
- Disconnect the iron from the main supply outlet when it is not in use
- When the iron cools down completely, store it in safe place

HINTS FOR IRONING

- Sort out the clothes to be ironed according to the type of fabric. Start ironing the articles that require the lowest ironing temperature, such as those made of synthetic fibres. This will minimize the frequency of temperature adjustment for different garments
- Test iron with a small area on the back side or inside the garment if you are unsure about the type of fabric. Silk, Woolen and synthetic materials: iron the reverse side of the fabric to prevent shiny patches. Start with a low temperature and increase gradually
- Wait for about three minutes before ironing heat sensitive fabrics. Temperature adjustment needs certain time to reach the required level no matter it is higher or lower
- Delicate fabrics such as silk, wool etc. are best ironed with an ironing cloth covering to prevent shiny marks

CLEANING THE IRON

- Disconnect the iron from the main supply outlet
- Let the iron cool down to the room temperature
- Use a damp cloth or non scratching cleaner to remove any deposits on the soleplate
- Never use sharp or rough objects to remove the deposits on the soleplate
- Never use any abrasive, vinegar or descaling agents to clean the iron

GARMENT LABEL REFERENCE CHART

Label	Kind of textile	Fibre material
Nylon	Synthetic	Acrylic Modacryl Polypropylene Polyurethane
Rayon	Synthetic	Acetate Triacetate Metalized Cupro Polyamide Nylon Polyester Modal Viscose Rayon
Silk	Silk	Silk
Wool	Wool	Wool
Cotton	Cotton	Cotton
Linen	Linen	Linen

TECHNICAL SPECIFICATION

Model	DRY IRON, DI220
Power	750W
Voltage	230V, AC
Frequency	50Hz

TROUBLESHOOTING

This summarises the most common problems you could encounter with the Dry Iron. If you are unable to solve the problem with the information below, contact your nearest Consumer Care Centre.

Problem	Possible Cause	Solution
The iron is plugged in but the soleplate is cold.	There is a connection problem.	Check the electrical power cord, the plug and the wall socket.
	The temperature dial is set to MIN	Set the temperature dial to the required position (See section 'Garment label reference chart')