

EVEREADY

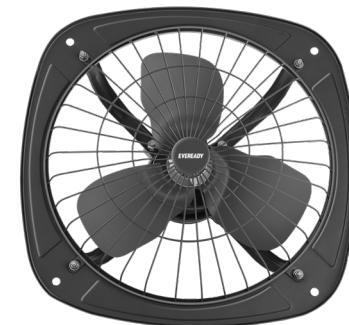
Appliances



EXHAUST FAN



EFM 01



EFM 02

EVEREADY >>>
INDUSTRIES INDIA LTD.

1, Middleton Street, Kolkata-700071, India
Consumer Care - address as above - Ph. 1800-102-4041
Email: appliancecare@eveready.co.in

2 YEAR
WARRANTY

USER MANUAL-CUM-WARRANTY CARD

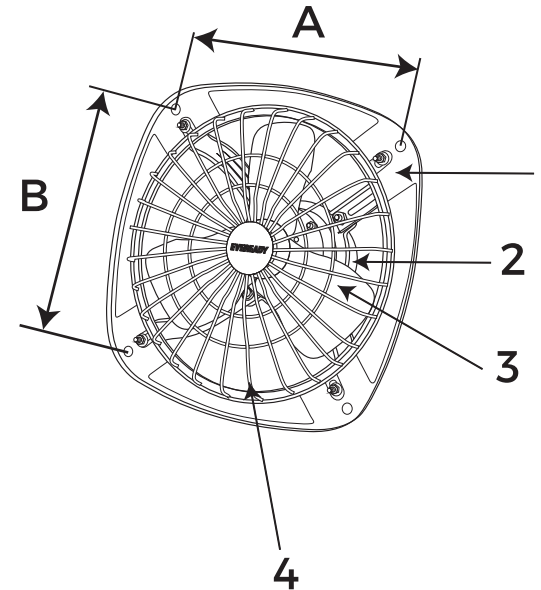
* Images are only indicative.
Actual product may differ from the one shown on the carton.

IMPORTANT SAFEGUARDS

This product is designed and intended for household use only. Please read all the instructions carefully before using Eveready Exhaust Fan. Even if you are familiar with the product then also place it handy for ready-reference.

1. Ensure that the voltage specified on rating label of your product corresponds to your house electricity supply voltage. If you are unfamiliar with electrical wiring methodology, please call for a qualified and licensed technician.
2. The use of attachment or accessories not recommended or sold by Eveready may result in fire, electric shock or personal injury.
3. Start installation only after reading the instructions carefully. Keep it safe for future reference.
4. Store the packaging away from children's reach.
5. After unlocking the pack ensure that no components are damaged & the fan is intact.
6. Install the fan by a qualified technician to avoid any damages from faulty connections.
7. Never let any object come in the way of fan blades.
8. Before cleaning or servicing, always switch off the power supply to the fan.
9. Do not operate the product when it is damaged or it does not work properly. Bring the product to the nearest authorized service centre for testing, repair or adjustments to avoid any hazard.
10. Keep the fan safe from excess vapour or direct water splash.
11. Fan should be used only as an exhaust device.
12. To clean, wipe the exterior with a damp cloth and handle blades carefully.

IDENTIFICATION OF PARTS & DIMENSION



1	BODY
2	MOTOR
3	BLADE
4	BIRD GUARD (GRILL)

Model	A	B
EFM 01	225	225
EFM 02	300	300

INSTALLATION INSTRUCTIONS

1. Use screws to fix the fan body onto the wall or a sturdy frame with the grill facing outside.
2. Connect the wires firmly and safely to a power source of 230V ~ 50Hz A.C

MAINTENANCE

1. Always switch off the power supply of the fan before cleaning or servicing.
2. Never use Petrol, Benzene, Thinner or any such chemicals for cleaning.
3. Remove the dirt from the metal surfaces with moistened cloth (NOT WET).
4. Do not immerse blades or other metal parts in hot water over 60°C.
5. Do not allow water contact with electrical parts such as motor and switches.

TECHNICAL SPECIFICATION

Model No.	EFM 01	EFM 02
Power	45W	55W
Voltage	230V AC	230V AC
Frequency	50Hz	50Hz
Sweep	225mm	300mm
Speed	1400 RPM	1350 RPM

EVEREADY

Appliances



EXHAUST FAN

**2 YEAR
WARRANTY**

WARRANTY

Eveready Industries India Ltd. provides warranty on Exhaust Fan, valid for a period of 2 years from the date of purchase against manufacturing defects only. Any manufacturing defect arising due to faulty materials or workmanship occurring within this period will be repaired free of charge, at your nearest service centre. Please preserve the warranty card, cash memo and the original packing of the product. Ensure that these documents are duly stamped and signed. Incomplete warranty cards will be treated as invalid. Warranty is NOT applicable if the warranty card is not duly completed at the time of purchase.

Terms of Warranty

The warranty DOES NOT apply to:

- Damages caused by abnormal voltage fluctuations, liquids, incidental fire and/or other external factors.
- Damages caused as a result of using auxiliary power supply like Generator or UPS.
- If the product has not been installed, used and maintained in accordance with the user manual.
- If any repair or modification work has been carried out by a person other than Eveready's Authorized Service Centres.
- If the serial number of the product is deleted, defaced, damaged or removed for any reason whatsoever.
- If the product is used for commercial purpose(s).
- If the warranty card is not filled-in completely and if any incorrect information is provided.
- Damages resulting from accidents, mishandling or negligence on the part of the customer.
- It does not cover surface coating, normal wear & tear of parts, power cord and plastic/bakelite parts.

Other Important Conditions

- The unit must be brought in person at one's own cost to the designated service centre
- Product sent by courier or postal service will not be accepted
- Bring the following along with the product:
 - Warranty Card duly filled in, stamped and signed by the retailer
 - Original cash memo ensuring valid warranty period of 2 years
 - Original product packing with all inner packing materials
- Ensure that the "Product Serial Number" is on the product and the warranty card is intact and NOT tampered with
- Ensure that the product is strictly in accordance with the warranty conditions given above
- Liability for consequential loss or damage is neither accepted nor implied

EVEREADY

Appliances



EXHAUST FAN

**2 YEAR
WARRANTY**

WARRANTY

This warranty is valid for the period of 2 years, only if this card is signed and stamped on the date of purchase and everything is strictly followed in accordance with the conditions mentioned.

MODEL No. : _____

Product Serial No. _____

Date of Purchase _____

Invoice No. _____

Consumer Name _____

Consumer Address _____

City _____

State _____ PIN Code _____

Contact No. _____

Email ID _____

Customer's Signature	Dealer's Stamp & Signature
Date	Date