

# EVEREADY

Appliances



## ROOM HEATER



**EVEREADY >>>**  
INDUSTRIES INDIA LTD.

1, Middleton Street, Kolkata-700071, India  
Consumer Care - address as above - Ph. 1800-102-4041  
Email: appliancecare@eveready.co.in



IS: 302-2-30  
CM/L 0009977019

**HC2000**

**1 YEAR**  
WARRANTY

**2000W**

**USER MANUAL**

\* Images are only indicative.  
Actual product may differ from the one shown on the carton.

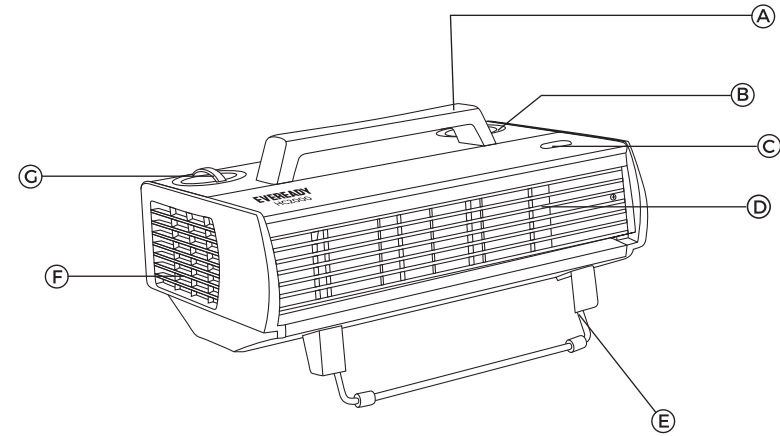
## IMPORTANT SAFEGUARDS

This product is designed and intended for household use only.

Please read all the instructions carefully before using Eveready Room Heater. Even if you are familiar with the product then also place it handy for ready-reference.

1. Before plugging in the heater, check if the voltage indicated on the rating label corresponds with the main voltage in your home.
2. Do not use the heater for anything other than its intended use.
3. Do not pull on the cord to disconnect the plug from the wall socket.
4. Do not use your room heater in a wet area.
5. Do not immerse your room heater in water.
6. Do not cover or place close furniture or clothing.
7. Always consult your nearest Eveready Authorised Service Centre in case of any problem.
8. This heater must only be used indoors and under supervision.
9. Do not use the heater in bathrooms.
10. Do not use heater with a programmable timer.
11. Do not use the heater to dry clothes.
12. The Heater should not be used if it has been dropped or if there are visible signs of damage.
13. This appliance is not intended for use by persons including children with reduced physical, sensory or mental capabilities, or lack of experience and knowledge, unless they have been given supervision or instruction concerning use of the appliance by a person responsible for their safety.
14. Before moving or attempting to clean the heater, allow it to cool down completely.

## PARTS IDENTIFICATION



- Ⓐ Handle
- Ⓑ Heat Setting Knob
- Ⓒ Power Indicator
- Ⓓ Hot Air Outlet Vent
- Ⓔ Adjustable Height
- Ⓕ Side Air inlet Vents
- Ⓖ Thermostat Control

## HOW TO USE

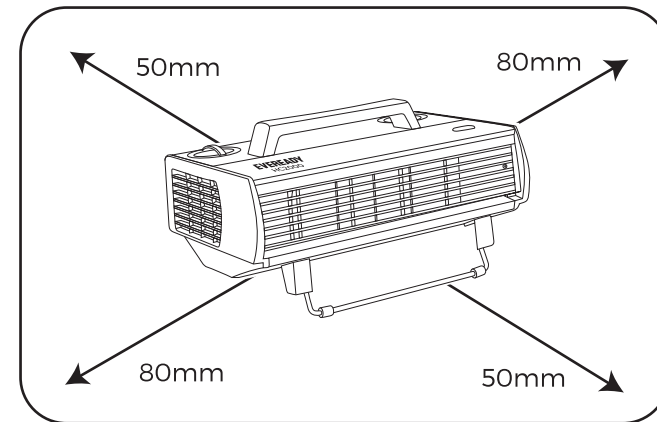
Keeping in view customer requirement the Eveready Room Heater is designed with thermostat to maintain the desired temperature. Follow the steps as given below to use the Room Heater:

- Step 1 : Switch ON the room heater by keeping it in upright position.
- Step 2 : Keep the thermostat to the max position.
- Step 3 : Once the desired room temperature is reached, rotate the thermostat knob back till the unit cuts off.
- Step 4 : The room heater will now automatically cut-in and cut-out to maintain this desired temperature.

## MAINTENANCE & CLEANING

This room heater requires no specific maintenance. Simply keep the room heater clean from dust and dirt. Check for damage before use.

When not in use or before cleaning, always disconnect the room heater from the main supply. Regularly clean the outside of the room heater with a soft damp cloth and dry it with a towel. Do not immerse the room heater in water. Do not use harsh solvents.



For best results keep the room heater away from walls and curtains. Maintain minimum distances at all sides as shown in the figure.

## TECHNICAL SPECIFICATION

Model No.	ROOM HEATER, HC2000
Power	1st Setting: 1000W 2nd Setting: 2000W
Voltage	230V AC
Frequency	50Hz
Plug	16A, 3 Pin Plug