

TECHNICAL SPECIFICATION

Model	MINI PROCESSOR, MP500B
Power	500W
Voltage	230V, AC
Frequency	50Hz

TROUBLESHOOTING

Problem	Solution
Machine does not work.	Ensure correct assembly. Make sure power plug is plugged in properly. Check if the mains have tripped, or if there is a power outage.
Machine stops running suddenly.	Processing bowl may loosen during vigorous processing. Please re-install the bowl cover.
Motor is running, while components do not run.	Make sure the Driver is installed correctly.

EVEREADY >>>
INDUSTRIES INDIA LTD.

1, Middleton Street, Kolkata-700071, India
Consumer Care - address as above - Ph. 1800-102-4041
Email: appliancecare@eveready.co.in

EVEREADY

Appliances



MINI PROCESSOR



MP500B

**2 YEAR
WARRANTY**

500W

USER MANUAL

*Images are only indicative.
Actual product may differ from the one shown on the carton.

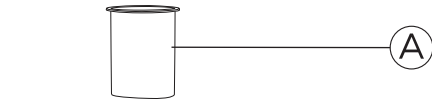
IMPORTANT SAFEGUARDS

This product is designed and intended for Household use only.

Please read all the instructions carefully before using Eveready Mini Processor. Even if you are familiar with the product, then also place it handy for ready-reference.

1. Before plugging in ensure that the voltage specified on the rating label of your appliance corresponds to your house electricity supply voltage.
2. Never immerse the motor unit, power cord or plug in water or any other liquid, nor rinse it under the tap.
3. Never connect this appliance to a timer switch in order to avoid a hazardous situation.
4. Do not use the appliance if the main cord, the plug or other parts are damaged or if the appliance works improperly. Bring the appliance to the nearest Authorised Service Centre for testing, repair or adjustments to avoid any hazards.
5. This appliance is not intended for use by persons (Including children) with reduced physical, sensory or mental capabilities, or lack of experience and knowledge, unless they have been given supervision or instruction concerning use of the appliance by a person responsible for their safety.
6. Children should be supervised to ensure that they do not play with the appliance.
7. Never let the appliance run unattended.
8. Never use your fingers or an object (e.g. a spatula) to push ingredients down the feeding tube while the appliance is running. Only use the pusher for this purpose.
9. Be very careful when you handle the, blender, blade unit, or food processors blade unit. Be especially careful when you remove them from the food processor bowl or blender jar, when you empty the bowl or jar and when you clean them. Their cutting edges are very sharp.
10. Never switch off the appliance by turning the food processor bowl or the jar. Always switch off the appliance by turning the speed control knob to OFF.
11. Switch off the appliance before you detach any accessory.
12. Unplug the appliance immediately after use.
13. Always unplug the appliance before you reach into the blender jar with your fingers or an object (e.g. a spatula).
14. Wait until moving parts stop running before you remove the lid of the bowls or jar.
15. Never use any accessories or parts from other manufacturers or that Supplier does not specifically recommend. If you use such accessories or parts, your warranty becomes invalid.
16. Do not exceed the maximum content indicated on the food processor bowl or the blender jar.
17. Consult the tables in this user manual for the correct quantities and processing times.
18. Let hot ingredients cool down before you process them.

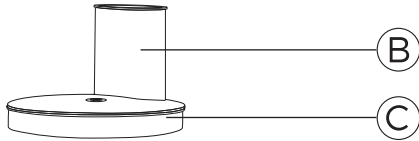
PARTS IDENTIFICATION



A

Processor

A. Pusher



B

B. Feeder chute

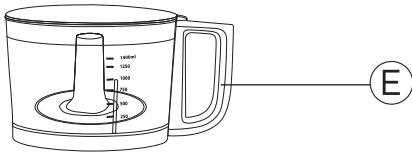
C

C. Bowl Cover



D

D. Blade Adaptor



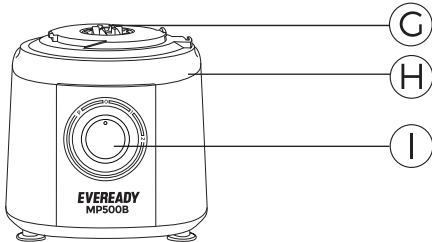
E

E. Processing Bowl



F

F. Driver



G

G. Safety interlock

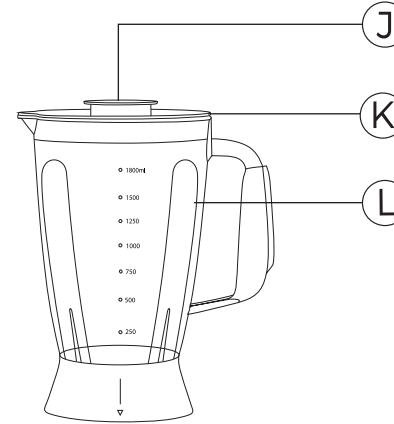
H

H. Motor Base

I

I. Knob

PARTS IDENTIFICATION



J

Liquidiser

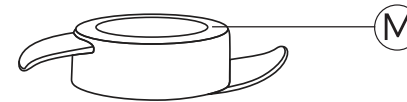
J. Blender measuring cup

K

K. Blender lid

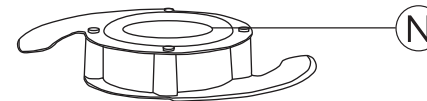
L

L. Blender jar



M

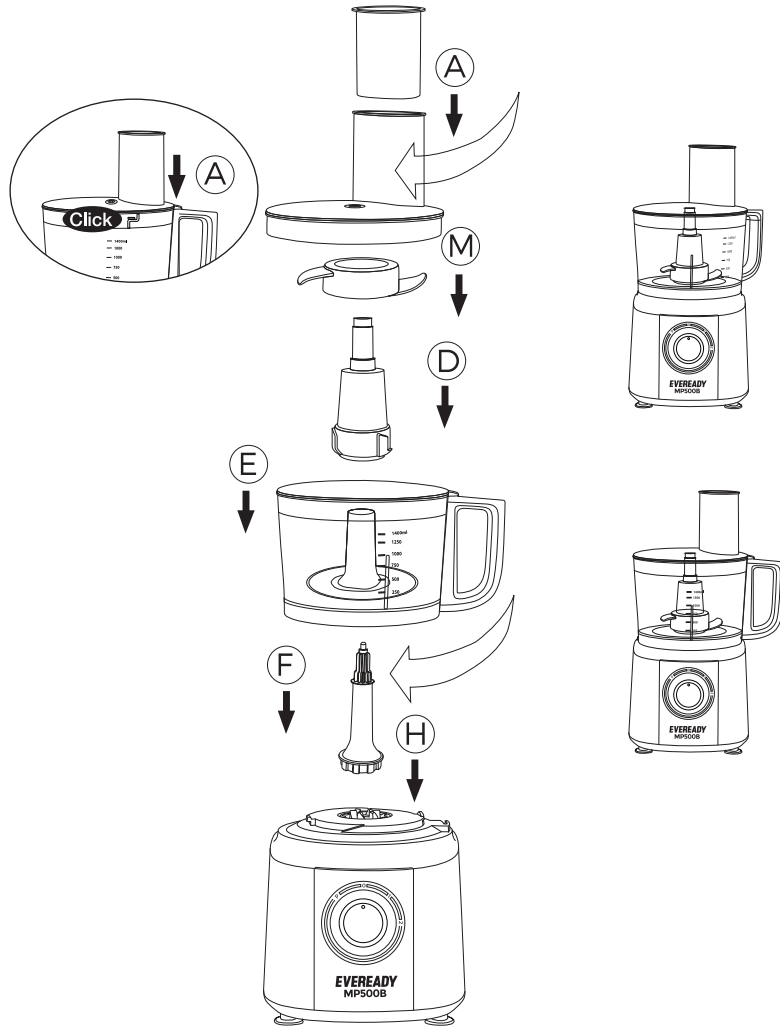
M. Kneading blade



N

N. Chopping blade

ASSEMBLY



KNEADING ASSEMBLY

1. Position Driver on motor base.
2. Position the processing bowl on the Driver and turn clockwise to seat firmly on motor base.
3. Place the blade adaptor onto the Driver.
4. Place the kneading blade onto the blade adaptor.
5. Turn the kneading blade to the right position.
6. Place the cover on the bowl, turn clockwise until cover interlocks on the bowl.
7. Place pusher into the feeder chute.

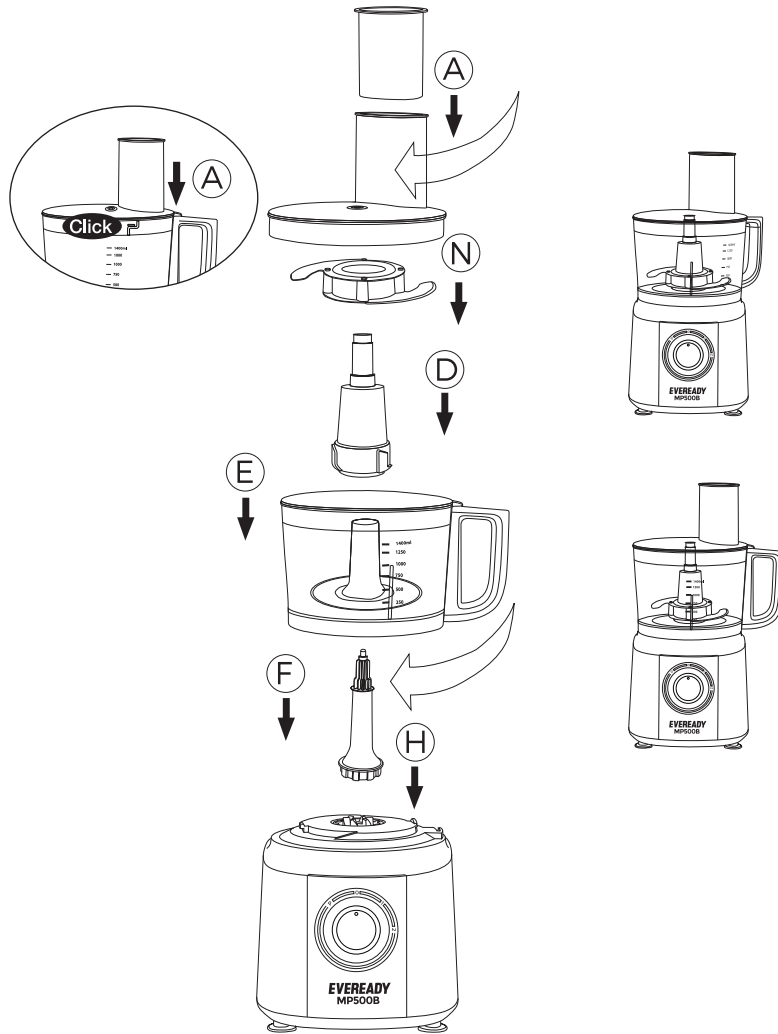
Processed Food	Measurement per batch
Flour / Soft Cheese	≤300g
Egg	≤5pieces

Notes (Kneading Blade) :

Always attach kneading Blade in the bowl before feeding food.

Standard kneading period : 30-180 sec.

ASSEMBLY



CHOPPER ASSEMBLY

1. Position Driver on the motor base.
2. Position processing bowl on the Driver and turn clockwise to seat firmly on motor base.
3. Place blade adaptor onto the Driver.
4. Place chopping blade onto the blade adaptor.
5. Turn the bowl to the right position.
6. Place the cover on the bowl, then turn clockwise until cover interlocks on bowl.
7. Place pusher into feeder chute

Processed Food	Measurement per batch
Chocolate	≤100g
Cheese	≤200g
Meat	≤500g
Tea or Spice	50~100g
Fruit & Vegetable	100~300g
Onion	≤500g

Notes (Chopper) :

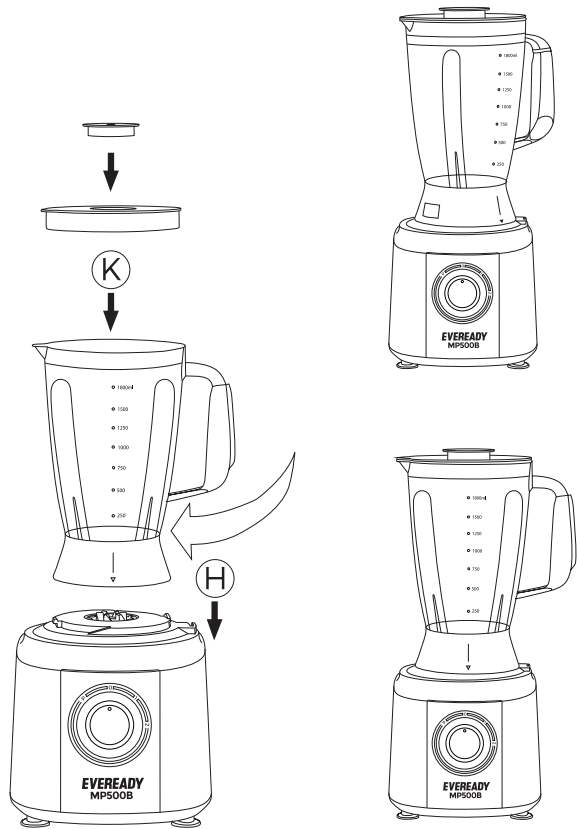
Always keep the chopper inside the bowl before feeding food.

Use pulse function for several times to avoid cutting too fine.
Do not run for too long while cutting hard cheese or chocolate.
Otherwise these materials will overheat and begin to melt.

Standard chopping period : 30-60 sec.

BLENDER ASSEMBLY

1. Make sure the blade base is fixed tightly.
2. Put food into the jar.
3. Install measuring cup and the cover properly.
4. Put blender jar onto the motor base vertically, and then rotate the jar clockwise to fix it.



TIPS AND WARNING

- Choose PULSE function for pre-mixing. It is recommended before operation.
- Make sure that the blade base is installed properly before operation.
- Measuring cup can be used to add ingredients during the operation.

HOW TO DISASSEMBLE

1. Remove pusher. Turn its cover counterclockwise, lift and remove.
2. Lift blade holder from driver.
3. Lift blade and remove from the blade holder.
4. Turn the bowl counterclockwise to unlock from motor base. Lift and remove.

CLEANING

Wash all parts except the motor base in warm, soapy water. The discs can be disassembled to wash with water, but be careful during disassembly.

DO NOT PUT ANY PARTS IN AN AUTOMATIC DISH-WASHER.

DO NOT IMMERSE THE MOTOR BASE IN WATER.