

# EVEREADY

Appliances



## OIL FILLED RADIATOR



**SAFETY**  
  
IS: 302-2-30  
CM/L 0009866010

**OFR11FB**  
**OFR13FB**

**2 YEAR**  
WARRANTY

**2900W**

**USER MANUAL**

\* Images are only indicative.  
Actual product may differ from the one shown on the carton.

**EVEREADY >>>**  
INDUSTRIES INDIA LTD.

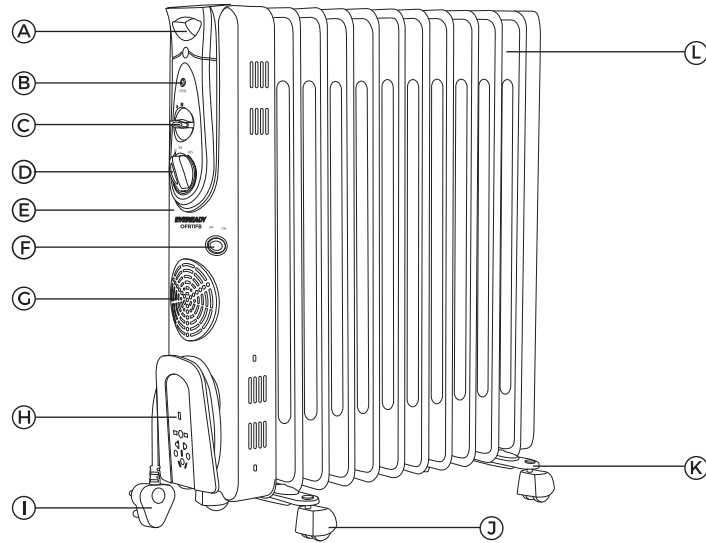
1, Middleton Street, Kolkata-700071, India  
Consumer Care - address as above - Ph. 1800-102-4041  
Email: [appliancecare@eveready.co.in](mailto:appliancecare@eveready.co.in)

## IMPORTANT SAFEGUARDS

This product is designed and intended for the household use only. Please read all the instructions carefully before using Eveready Oil Filled Radiator. Even if you are familiar with the product, then also place it handy for ready-reference.

1. Connect the appliance to a single phase AC supply of the voltage specified on the rating label.
2. In order to avoid overheating, do not cover the heater.
3. Never leave the Oil Filled Radiator unattended while it is in use. Always turn the appliance to the OFF position and unplug it from the electrical outlet when it is not in use.
4. Extreme caution is necessary when the Oil Filled Radiator is used by or near children, physically challenged or elderly person and whenever the Radiator is left operating and unattended.
5. The Oil Filled Radiator must not be located immediately below an electrical socket-outlet.
6. Do not run cord under carpeting and do not cover the cord with throw rugs, runners or likewise. Arrange cord away from traffic area and where it will not be tipped over.
7. Do not operate the Oil Filled Radiator with a damaged cord or plug, or after the Radiator malfunctions, has been dropped, or damaged in any manner.
8. If the supply cord is damaged, please contact Eveready Authorized Service Facility for repair.
9. Avoid the use of an extension cord as this may overheat and cause a risk of fire.
10. Use the Oil Filled Radiator in a well-ventilated area. Do not insert or allow objects to enter any ventilation or exhaust opening. To prevent a possible fire, do not block air intakes or exhaust openings in any manner. Do not use on soft surfaces, like a bed, where openings may become blocked. Use the Radiator on flat, dry surfaces only.
11. Do not place the Oil Filled Radiator near flammable materials, surfaces or substances, as there may be a risk of fire. Keep the above flammable materials, surfaces or substances at least 1m away from the front of the appliance and keep them away from the sides and rear.
12. Do not use the Oil Filled Radiator in any areas where petrol, paint or other flammable liquids are stored e.g. Garages or workshops, as sparking inside the radiator may cause fire when in contact with the liquids.
13. Don't use the Oil Filled Radiator in the immediate surroundings of a bath, a shower or a swimming pool. Never locate the Radiator where it may fall into a bathtub or other water container.
14. Be sure that no other appliance are in use on the same electrical circuit as your appliance, as an overload can occur.
15. The Oil Filled Radiator is filled with a precise quantity of special oil.
16. Repairing or requiring opening of the oil container is only to be made by the Eveready Authorized Service Facility, if there is an oil leakage.
17. The Oil Filled Radiator should not be used in a room, of which the floor area is less than 5m<sup>2</sup>.
18. This appliance is not intended for use by persons (including children) with reduced physical, sensory or mental capabilities, or lack of experience and knowledge, unless they have been given supervision or instruction concerning use of the appliance by a person responsible for their safety.
19. Children should be supervised to ensure that they do not play with the appliance.
20. Children aged from 3 years of age and less than 8 years shall only switch ON/OFF the appliance provided that it has been placed or installed in its intended normal operating position and they have been given supervision or instruction concerning use of the appliance in a safe way and understand the hazards involved. Children aged from 3 years and less than 8 years of age shall not plug in, regulate and clean the appliance or perform user maintenance.
21. The cord shouldn't be placed near the hot surface of the appliance.
22. **CAUTION** - The Oil Filled Radiator is hot when in use. To avoid burns and personal injury, do not let bare skin touch hot surfaces. If provided, use handles when moving the appliance.

## PARTS IDENTIFICATION



- |                      |                         |
|----------------------|-------------------------|
| Ⓐ Easy Carry Handle  | Ⓒ PTC Fan Heater        |
| Ⓑ Power Indicator    | Ⓓ Cord Winder           |
| Ⓒ Heat Selector Knob | Ⓚ Power Cord            |
| Ⓓ Thermostat Control | Ⓛ Castor Wheels         |
| Ⓔ Front Cover        | Ⓜ Castor-mounting plate |
| Ⓕ Fan Heater Switch  | Ⓨ Radiator Fins         |

## ASSEMBLY INSTRUCTIONS

The Oil Filled Radiator is packaged with the feet unattached. You must attach them before operating the Heat Radiator.

**WARNING:** Do not operate without feet attached. Do operate the Radiator only in upright position (Feet on the bottom, controls on the top), any other position could create a hazardous situation.

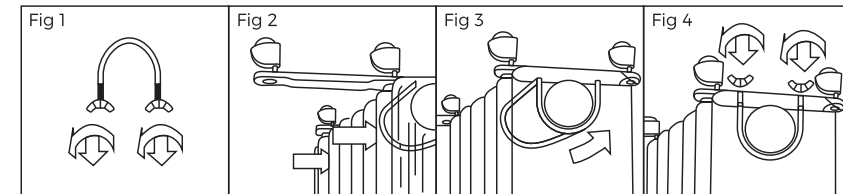


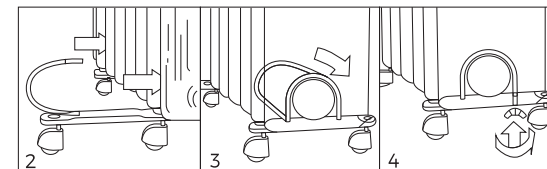
Fig A

1. Unscrew nut and washer from castors. (Fig A-1)
2. Attached castors with two metal axles with washer and nut.
3. Place the Radiator body upside-down on a scratch-free location, make sure it is stable and will not fall.
4. Screw off the wing nuts from the U-shaped bolt provided (See Fig 1), attach the U-shaped bolt to the U-facing flange between first and second fins (Near the front cover) (See Fig 2).
5. To attach the castor mounting plate to the radiator body, you should insert the threaded ends of the U bolt in the holes on the castor mounting plate (See Fig 3).
6. Screw the wing nuts back to the U bolt and fasten the wing nut properly (See Fig 4).

**Note:** Do not over tighten, which may cause the damage of the Radiator flange.

7. Repeat 2, 3 and 4 on the rear of the Radiator for mounting of the rear castors.

**Note:** The rear castors must be mounted between the end of the two fins.



## INSTRUCTIONS FOR USE

1. Before using the Oil Filled Radiator, make sure that it is on a flat and stable surface. Damage may occur if it is placed on an inclined or declined.
2. Set all the controls to OFF position and insert the plug into a socket-outlet with well grounded. Be sure that the plug fits firmly.
3. Rotate the thermostat knob clockwise to "MAX (Or HIGH)" position and rotate the POWER SELECT KNOB clockwise first to LOW power, and in turn to MEDIUM power, then to HIGH power. The pilot light remains ON independent of the cycling of the thermostat.
4. When your room reaches the desired temperature, now slowly rotate the thermostat knob counter clockwise until the pilot light goes out. The thermostat can now be left at this setting. As soon as the room temperature has dropped below the set temperature, the unit will switch it self on automatically until the set temperature has been reached again. In this way the room temperature remains constant with the most economical use of electricity.
5. If you want to change the room temperature setting, rotate the thermostat knob clockwise to raise the temperature, or counter clockwise to lower it.
6. This Oil Filled Radiator includes an overheat protection system that shuts off the Radiator when parts of the Radiator are getting excessively hot.
7. To completely shut the Oil Filled Radiator off, turn all the controls to OFF, and remove plug from the socket-outlet.
8. Your Oil Filled Radiator is designed to automatically shut-off when tipped over. When returned to normal upright position, heat will automatically come on again. This is a safety feature to avoid possibility of fire should the unit be accidentally upset.

## MAINTENANCE

1. Always remove the plug from the socket-outlet and allow the Radiator to cool down before cleaning the heater.
2. Wipe Radiator with a soft damp (not wet) cloth.

### WARNING:

1. Do not immerse the Oil Filled Radiator in water.
2. Do not use any cleaning chemicals such as detergents and abrasives.
3. Do not allow the interior to get wet as this could create a hazard.
4. To store away the Oil Filled Radiator, wind the cable round bobbin and store the Radiator in a clean dry place.
5. In case of malfunction or doubt, do not try to repair the Oil Filled Radiator yourself, it may result in a fire hazard or electric shock. Please contact Eveready Authorized Service Facility for repair.

## TECHNICAL SPECIFICATION

Model No.	OFR11FB	OFR13FB
Power	2900W	2900W
Voltage	230V	230V
Frequency	50Hz	50Hz
No. of Fins	11	13