

EVEREADY

Appliances



INSTANT WATER HEATER



3 LITRE

IS: 8978

CM/L 9600003512

EVEREADY >>>
INDUSTRIES INDIA LTD.

1, Middleton Street, Kolkata-700071, India
Consumer Care - address as above - Ph. 1800-102-4041
Email: appliancecare@eveready.co.in

OZORA **2 YEAR** **5 YEAR** **3000W**
WARRANTY WARRANTY ON TANK

USER MANUAL

* Images are only indicative.
Actual product may differ from the one shown on the carton.

IMPORTANT SAFEGUARDS

This product is designed and intended for household use only. Please read all the instructions carefully before using Eveready Instant Water Heater. Even if you are familiar with the product then also place it handy for ready-reference.

1. Water Heater needs to be installed by qualified personnel only. Eveready is not responsible for any damage caused due to wrong installation and using sub-standard / hard water.
2. Do not immerse the product, power cord or plug in water or any other liquid.
3. Ensure that the voltage specified on the rating label of your product, corresponds to your house electricity supply voltage before plug in.
4. Ensure that water flows freely from outlet pipe during installation before plugging in power outlet and switching on.
5. Do not operate the product when it is damaged or it works improperly. Bring the product to nearest authorized service facility for examination, repair or adjustments to avoid any hazard.
6. When Water Heater is no longer required for hot water, switch off electrical supply by dry hands ensuring that water is still running from outlet. Once cold water starts to flow from that outlet, the tap can be closed.
7. Pressure reducing valve should be adjusted suitably to ensure that water inlet pressure is not more than 6 bars (95psi). It is highly recommended not to adjust or tamper the same since it has been preset for testing standards and specifications.
8. Electrical connections should be strictly as per connections / details shown under "Electrical Connections" section below.
9. Do not let the power cord hang over to great extent. It needs to be clipped to the wall.
10. Keep the product out of reach of children at all times. Close supervision is necessary when used near children or by physically challenged person or by people who lack experience to use the same appliance.

11. The use of attachments or accessories not recommended or sold by Eveready may result in fire, electric shock or personal injury.
12. To clean, wipe the exterior with a damp cloth.
13. Do not operate or place any part of this product on or near any hot surface (Such as gas or electric burner or heated oven).
14. Do not use the appliance outdoors.
15. Inlet water line should be continuously open when Water Heater is in use except when it is being serviced.
16. The green indicator lamp which is ON during the normal operation, turns OFF when the thermostat is activated.

WARNING: Never switch on your heater if there are indications of water inside the tank might be frozen.

INBUILT SAFETY DEVICES

A. Safety Valve

A 6 Bars, safety valve is fitted on the inlet pipe connection. Please do not tamper with the seal, as it would disturb the factory fitted setting. In case, this needs to be replaced, ensure that rubber washer of correct size is placed correctly and there is no leakage of water before switching on the heater.

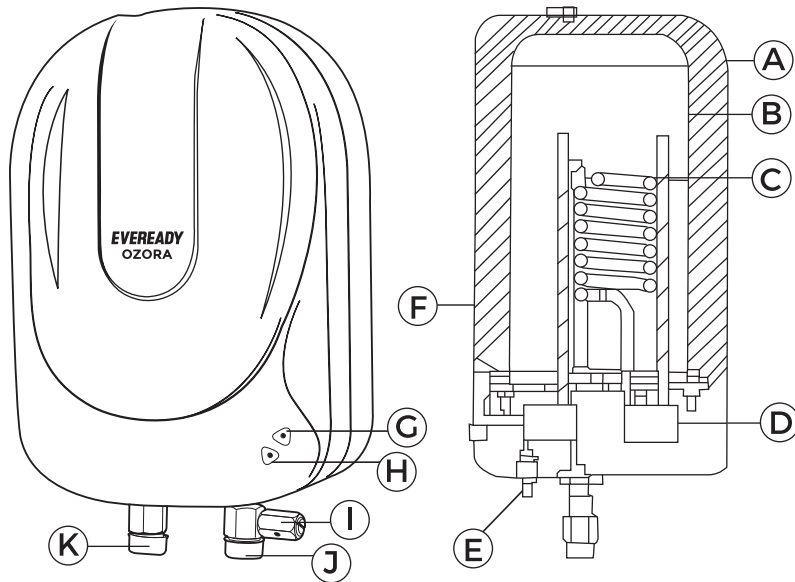
B. Thermal Cut out

Cut out has been provided for safety of your product. It is a non-resettable type. If temperature crosses 96°C, the cut out will break open and the product will stop to operate. Please contact your nearest Eveready Service Centre or qualified technician so appointed by the Company.

C. Thermostat

This is the self resetting type of thermostat. Its ON/OFF indication gets reflected by the green light going ON/OFF simultaneously.

PARTS IDENTIFICATION



- | | |
|-------------------|------------------------|
| Ⓐ Front Housing | Ⓒ Green Lamp Indicator |
| Ⓑ Inner Tank | Ⓓ Red Lamp Indicator |
| Ⓒ Heating Element | Ⓔ Safety Valve |
| Ⓓ Thermostat | Ⓕ Inlet Pipe |
| Ⓔ Cut out | Ⓖ Outlet Pipe |
| Ⓕ Back Housing | |

PRODUCT FEATURES

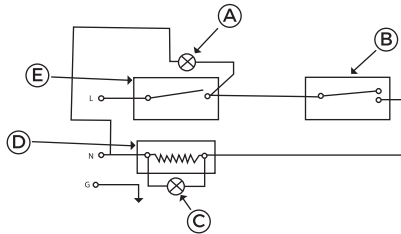
1. **Outer Body:** ABS Body.
2. **Inner Container:** Made from special grade stainless steel, to withstand pressure upto 95 psi (6 bars).
3. **Thermostat:** Built in thermostat ensures automatic temperature control.
4. **Thermal Cut out:** Stem Type non-self resetting Thermal Cut out for extra safety.
5. **Safety valve:** Spring Activated pressure relief valve to relieve any excess pressure built in the Water Heater.
6. **Heating Element:** Long life copper heating element as per ISI specifications.

INSTALLATION PROCESS

1. The appliance must be installed in compliance with current local regulations.
2. Water Heater should be mounted close to the electrical outlet with proper earthing and specifications matching with those stated on rating label of your Water Heater.
3. Fix the three bolts firmly on the wall. They have to be horizontal in a straight line. Each bolt has to be of ¼"x2" size.
4. Mount your Water Heater vertically on these three bolts and lock it firmly in position.
5. Ensure that the water pressure is less than 6 Bars at inlet connection. If not, then additional pressure reducing valve will need to be fitted.
6. Now connect the inlet (Blue cap) pipe with ½" BSP connection.
7. Outlet connection too has to be fitted with ½" BSP pipe. Ensure that this outlet pipe is insulated one and can withstand high temperatures.
8. Care needs to be taken that there are no leakages at these connection points which could have been caused due to wrong tightening or excess force being applied and thus distorting the threading.

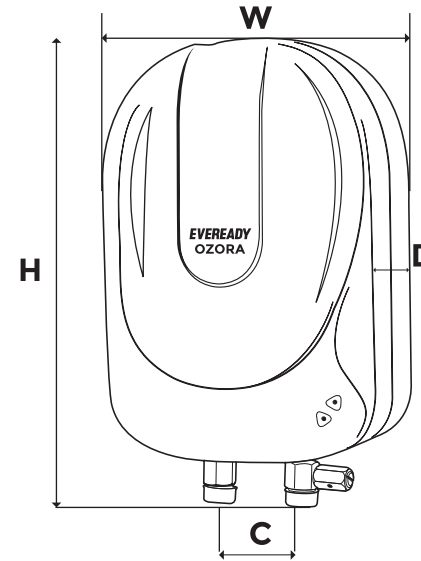
ELECTRICAL CONNECTIONS

This wiring diagram needs to be adhered to while making final fittings. The power supply socket has to be properly earthed.



- (A) Green Indicator lamp
- (B) Thermostat
- (C) Red Indicator lamp
- (D) Copper Heating element
- (E) Thermal Cut out

PRODUCT DIMENSIONS



MODEL	OZORA
	3 L
W	225mm
H	360mm
C	57mm
D	185mm

* These are approximate dimensions and may vary slightly from the product.

TECHNICAL SPECIFICATION

Model No.	INSTANT WATER HEATER - OZORA
Heater Capacity	3 Litre
Power	3000W
Voltage	230V
Frequency	50Hz
Rated Pressure	60N/cm ² Drip Proof Class 1