

# EVEREADY

Appliances



## ROOM HEATER



IS: 302-2-30  
CM/L 0009977019

**EVEREADY >>>**  
INDUSTRIES INDIA LTD.

1, Middleton Street, Kolkata-700071, India  
Consumer Care - address as above - Ph. 1800-102-4041  
Email: appliancecare@eveready.co.in

**QH800**

**1 YEAR  
WARRANTY**

**800 W**

**USER MANUAL**

\* Images are only indicative.  
Actual product may differ from the one shown on the carton.

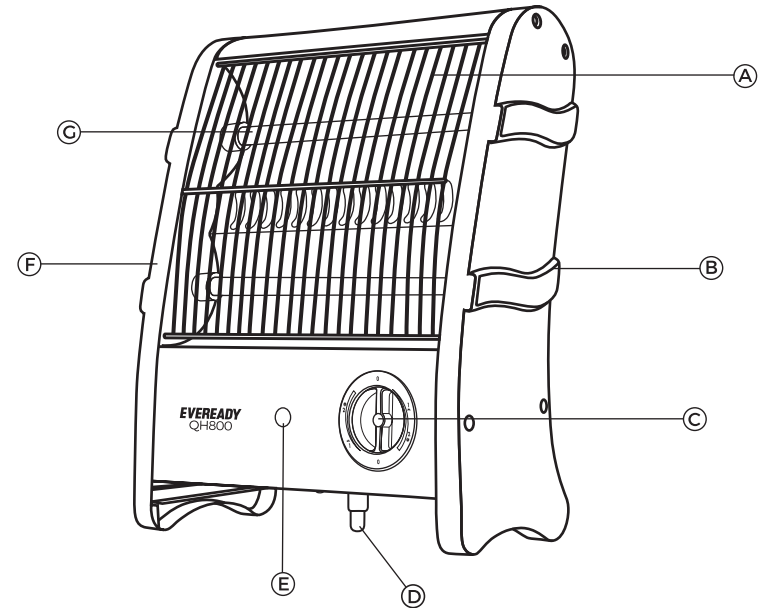
## IMPORTANT SAFEGUARDS

This product is designed and intended for household use only.

Please read all the instructions carefully before using Eveready Room Heater. Even if you are familiar with the product then also place it handy for ready-reference.

1. Before plugging in the heater, check if the voltage indicated on the rating label corresponds with the main voltage in your home.
2. Do not immerse the heater or cord in water or any other liquid. Do not use it in a bathroom, near water, or outdoors.
3. It is normal for the heater to make "cracking" noises when it is heating up and cooling down.
4. Do not use the heater for anything other than its intended use.
5. Never leave the heater unattended whilst in use.
6. Do not pull on the cord to disconnect the plug from the wall socket.
7. Do not use the heater to dry clothes.
8. Do not use the heater if the power cord or plug is damaged. Do not replace the power cord or any other parts yourself. Bring the product to the nearest authorized service facility for examination, repair or adjustments to avoid any hazard.
9. Always ensure that the heater is positioned at least 75cm away from furniture or other objects.
10. The Heater should not be used if it has been dropped or if there are visible signs of damage.
11. This appliance is not intended for use by persons including children with reduced physical, sensory or mental capabilities, or lack of experience and knowledge, unless they have been given supervision or instruction concerning use of the appliance by a person responsible for their safety.
12. The heater is for household indoor use only. Never use it outdoors.
13. Never use the heater on its side, it must always be used upright.
14. Children should not be allowed to play with the heater.
15. Before moving or attempting to clean the heater, allow it to cool down completely.
16. The heater should not be placed directly under a fixed power socket.

## PARTS IDENTIFICATION



- Ⓐ Front Grill
- Ⓑ Right Cover
- Ⓒ Heat Setting Knob
- Ⓓ Tip Over Switch
- Ⓔ Power Indicator
- Ⓕ Left Cover
- Ⓖ Quartz Tube

## FEATURES

1. The heater is provided with 2 Heating positions which enables you to use the Heater in different climatic conditions.
2. The Heater is provided with "TIP OVER SWITCH" which switches OFF the heater if it tilts or falls. This safety device is provided at the base of the heater.
3. This Heater saves energy as it consumes very less electricity (400/800W), there by saving in electricity bills.
4. The Heater is having powder coated body which provides excellent corrosion resistance and it leads to much longer life in respect of both looks and strength.

## HOW TO USE

1. Connect the heater to a suitable main supply outlet.
2. Keep the product in upright position.
3. The heat output is controlled by the thermostat, according to the room temperature.
4. Select the heat setting required by rotating the switch.
5. Since the tube is made of Quartz, it needs 10-20 seconds to light up and heat.

## MAINTENANCE

To clean the Room Heater use a soft damp cloth, without detergents, after the cord has been disconnected and the unit has been allowed to cool. Store the heater in a dry place when not in use for extended period.

## TECHNICAL SPECIFICATION

Model No.	ROOM HEATER, QH800
Power	1st position: 400W 2nd position: 800W
Voltage	230V AC
Frequency	50Hz