

EVEREADY
Appliances



SANDWICH GRILL



EVEREADY >>>
INDUSTRIES INDIA LTD.

1, Middleton Street, Kolkata-700071, India
Consumer Care - address as above - Ph. 1800-102-4041
Email: appliancecare@eveready.co.in

SG211

2YEAR
WARRANTY

750 W

USER MANUAL

* Images are only indicative.
Actual product may differ from the one shown on the carton.

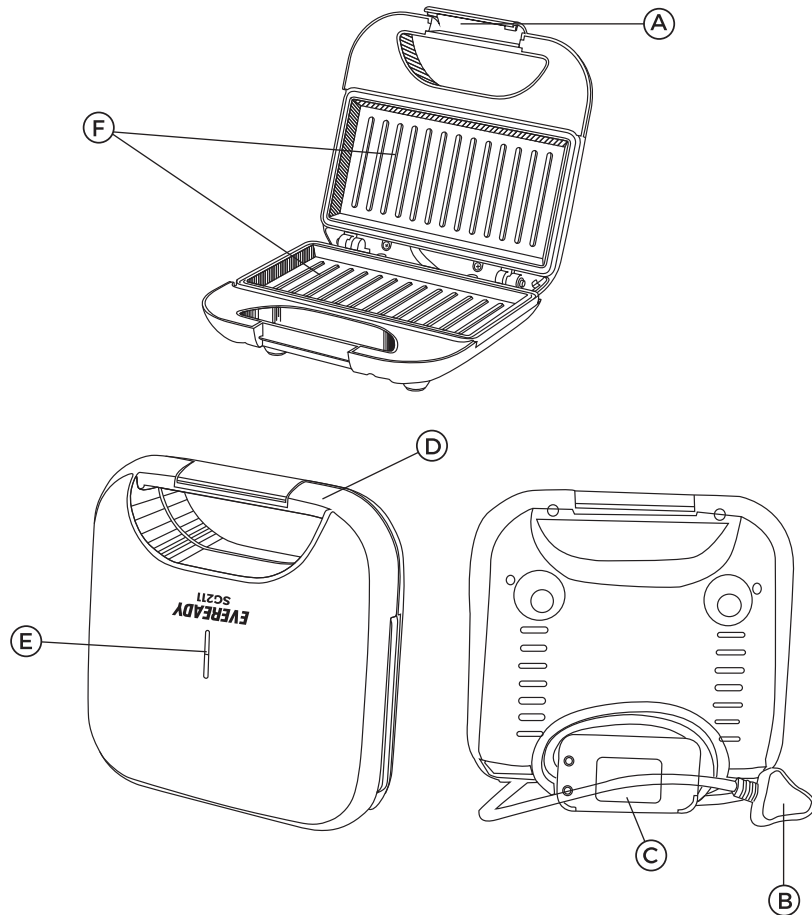
IMPORTANT SAFEGUARDS

This product is designed and intended for household use only.

Please read all the instructions carefully before using Eveready Sandwich Grill, even if you are familiar with the appliance and place it handy for your future reference.

1. To protect against electrical hazards, do not immerse the appliance, power cord or plug in water or any other liquid.
2. Ensure that the voltage specified on the rating label of your appliance corresponds to your house electricity supply voltage before plug in.
3. Keep the Sandwich Grill atleast 6 inches away from the wall or other appliances. Care should be taken that the appliance is kept on a flat, flame retardant surface, during use.
4. Do not operate the appliance when it is damaged or it works improperly. Bring the appliance to the nearest authorized service facility for examination, repair or adjustments to avoid any hazards.
5. Switch off and remove the plug from the power outlet when it is not in use, and also while cleaning.
6. When using extension cord with your appliance, make sure that the extension cord is correctly wired and rated for its use.
7. Use of the external timer switch should be avoided as it might be hazardous.
8. Do not leave the appliance unattended when it is connected to the main supply outlet.
9. Do not let the power cord hang over the edge of a table, counter or get in touch with any hot surface.
10. Avoid touching the top surface which is hot. Appliance should not be covered or stored unless cooled down to the room temperature.
11. Keep the appliance out of reach of children at all times. Close supervision is necessary when used near children or by physically challenged persons or by people who lack experience to use the same appliance.
12. Never carry the appliance by the power cord or yank it to disconnect it from the outlet, instead hold the plug and pull out to disconnect.
13. The use of attachments or accessories not recommended or sold by Eveready may result in fire, electric shock or personal injury.
14. To clean, wipe the exterior part of this appliance with a damp cloth.
15. Do not operate or place any part of this appliance on or near any hot surface (Such as gas or electric burner or near a heated oven).
16. Do not use the appliance outdoors.
17. Do not use any sharp utensil to remove or clean foodstuff from the grill plates, if they are stuck to the non-stick plates.

PARTS IDENTIFICATION



- (A) Locking clip
- (B) Power cord
- (C) Cord winder

- (D) Handle
- (E) Power indicator light
- (F) Non-stick grill plates

USAGE

1. Before using this appliance for the first time, clean it as described in the cleaning section. Unlock the clip to open the appliance. Remove all packing and wipe the grill plates with a soft cloth.
2. Close the Plates and turn the unit 'ON' by plugging it into a standard electrical outlet. Verify that the Power Indicator light illuminates to red/orange.

NOTE: During the initial uses of this appliance, it may produce some smoke. This is normal and will subside with further use.

CAUTION: Do not use this appliance to cook or defrost frozen food. All food must be completely defrosted before cooking it with this appliance.

WARNING: The cooking plates and the metal surfaces of the unit will become extremely hot when it is in use. To avoid a burn hazard, wear heat resistant mittens or gloves.

3. After the unit preheats for approximately 2-3 minutes, the ready Indicator Light will illuminate in green, indicating that the appliance is ready to use.
4. Use the handle to lift the upper plate. Place food on the lower plate using wooden or plastic heat-resistant spatula.

CAUTION: Do not use metal utensils on this appliance, as they will scratch and damage the plates and non-stick coating.

5. Use the handle to lower and rest the upper plate on the top of the food. Press the handle together and lock with the clip in place. Do not use excessive force to lock the clip in place, as it might break the clip over prolonged usage.

NOTES: The cooking time for different food depends on the type and thickness of the food.

- When the food is cooked as desired, green light will turn on, lift up the handle to open the plates, then remove the food. If more cooking is needed, close the plate back in position and wait for few minutes for another heating cycle to complete.
- Repeat Steps 4-6 until all cooking is complete, reapplying cooking oil as necessary.
- Turn off the appliance by unplugging the power cord from the electrical outlet.
- When the unit has completely cooled down, clean and dry it. Lock the unit in its closed position by pressing in locking clip in position.

CLEANING

- Before cleaning, unplug and wait for the appliance to cool down.
- Wipe outside surface with only a slightly moistened cloth ensuring that no moisture, oil or grease enters in the cooling slots.
- Do not clean the inside or outside surface with any abrasive scouring pad or steel wool as this will damage the unit's finish.
- Do not immerse the unit in water or any other liquid.

STORAGE AND MAINTENANCE

- Be aware that some parts of the appliance become hot during the operation. Make sure that the appliance is switched off, unplugged and wait for it to cool down completely before cleaning or storage.
- Wipe the cooking surface with a soft damp cloth every time after use. If it is difficult to remove residues, use a little oil if needed.
- Do not use any metal spray-on as this would damage the non-stick coating.
- In case of any problem, please contact authorized service center for help.

TECHNICAL SPECIFICATION

Model No.	SANDWICH GRILL, SG211
Power	750W
Voltage	230V
Frequency	50Hz