

TECHNICAL SPECIFICATION

Model	STEAM IRON, SI1410
Power	1400W
Voltage	230V, AC
Frequency	50Hz
Temperature Adjusting Range	150~220°
Tank Capacity	360mL
Steaming Rate	12~20g / min

TROUBLESHOOTING

This summarises the most common problems you could encounter with the Steam Iron. If you are unable to solve the problem with the information below, contact your nearest Consumer Care Centre.

Problem	Possible Cause	Solution
The iron is plugged in but the soleplate is cold.	There is a connection problem.	Check the power cord, the plug and the wall socket.
	The temperature dial is set to 'MIN'	Set the temperature dial to the required position (See section 'Garment label reference chart')
Steam functions are not working	Water tank is empty	Add some water through the water inlet

EVEREADY >>>
INDUSTRIES INDIA LTD.

1, Middleton Street, Kolkata-700071, India
Consumer Care - address as above - Ph. 1800-102-4041
Email: appliancecare@eveready.co.in

EVEREADY

Appliances



STEAM IRON



IS: 302-2-3



CM/L-0009653494

SI1410

**2YEAR
WARRANTY**

1400W

USER MANUAL

* Images are only indicative.
Actual product may differ from the one shown on the carton.

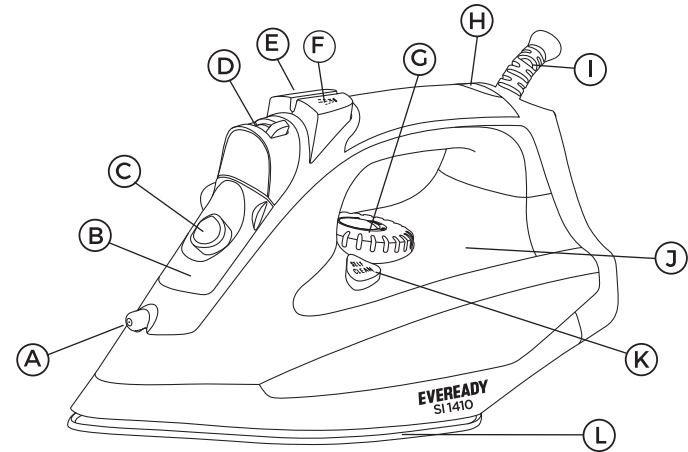
IMPORTANT SAFEGUARDS

This product is designed and intended for household use only.

Please read all the instructions carefully before using Eveready Steam Iron, even if you are familiar with the product then also place it handy for future reference.

1. Do not immerse the appliance, power cord or plug in water or any other liquid.
2. Ensure that the voltage specified on the rating label of your appliance corresponds to your house electricity supply voltage before plug in.
3. While filling water in water tank, ensure that the Steam Iron is plugged off and not connected to the main.
4. Do not operate the appliance when it is damaged or it works improperly. Bring the product to the nearest authorized service facility for examination, repair or adjustments to avoid any hazard.
5. Switch off and remove the plug from the power outlet when it's not in use, also while filling or emptying water tank.
6. When using extension cord with your appliance, make sure that the extension cord is correctly wired and rated for its use.
7. Do not leave the appliance unattended when it is connected to the main supply outlet.
8. Do not let the power cord hang over the edge of a table, counter or in touch with hot surfaces.
9. Avoid touching soleplate, which is a hot surface during operation and may cause burns if touched, use handle and knob instead.
10. Keep the appliance out of reach of children at all times. Close supervision is necessary when used near children or by physically challenged persons or by people who lack experience of using the same appliance.
11. Never carry the appliance by the power cord or yank it to disconnect it from the outlet, instead grasp the plug and pull out to disconnect.
12. The use of attachment or accessories not recommended or sold by Eveready may result in fire, electric shock or personal injury.
13. To clean, wipe the exterior part with a damp cloth.
14. Do not operate or place any part of this appliance on or near any hot surface (Such as gas or electric burner or on a heated oven).
15. Never put scented liquids, vinegar, descaling agents or any other chemical agents in water tank or on the soleplate.

PARTS IDENTIFICATION



- | | |
|------------------------|------------------------------|
| (A) Spray Nozzle | (G) Temperature control knob |
| (B) Water Inlet cover | (H) Heating Indicator light |
| (C) Water Inlet | (I) 360 degree swivel cord |
| (D) Steam control Knob | (J) Water tank |
| (E) Steam Burst Button | (K) Self-clean button |
| (F) Spray button | (L) Non-Stick Soleplate |

USAGE

BEFORE USING YOUR IRON:

1. Your Iron is to be used for indoor domestic usage only. Before using for the first time, check if the voltage rating on the base plate corresponds to the main voltage at your home.
2. Some parts of the Iron have been slightly greased, as a result of which the Iron may smoke slightly when switched ON for the first time. After a short while, however, this will cease.

IRONING TIPS:

How to fill with water:

1. Make sure the iron is turned off and the power cord is unplugged from the electrical outlet.
2. Set the 'Variable' steam knob to the '0' position before filling the iron with water.
3. Open the 'Water Fill' Opening and fill the Tank up to the 'MAX' Line on the tank.
4. The water level can be observed through the transparent part of the tank, when iron is placed vertically, in case water level becomes low, refill the tank, following the procedure described in steps 1 to 3 above.
5. Pour out the remaining water after use.

Note:

Most tap water can be used in this iron. Do not use water additives or substitute water such as scented water in the steam iron, they can stain fabrics or damage the iron. Do not fill the water more than the 'MAX' position.

After each use:

1. Turn the iron off and unplug.
2. Empty the iron immediately after using. Do not store the iron with water in it.
3. Wait until the iron has cooled before storing it, and always set it on the Heel Rest to protect the soleplate from scratches, corrosion or stains.
4. After letting iron cool down completely, store the iron vertically in a safe place

Outside surface of the iron:

After unplugging and cooling the iron, simply wipe off with a damp cloth and if necessary, use a mild detergent.

NEVER USE ANY HARSH CLEANERS.

Soleplate:

Starch and other residue may be easily removed from the soleplate with a damp cloth. To avoid scratches on the finishing, never use a metallic pad to clean the Soleplate, and never place the iron on a rough surface. If synthetics are ironed at too high

temperature not only is the fabric usually ruined, but the Soleplate is often covered with the melted remains of the synthetic fabric. The best way to remove synthetic residue from the Soleplate is to heat the iron and to iron over an old cotton rag.

CAUTION: Never Use steam iron cleaners in the iron, since they may damage the working parts of the iron.

STEAM IRONING FUNCTION

1. Fill the iron as described in 'How to fill with water'.
2. Position the iron vertically and turn the Temperature Control Knob to the steam position.
3. Plug the Cord into the electrical outlet.
4. Set the Temperature Control Knob to the steam position. Steam Ironing is only possible when at higher temperature settings indicated with 'MAX' mark; otherwise the water will leak from the soleplate.
5. Preheat the iron until the indicator light goes out. The light will turn off when the indicated setting reaches the correct temperature.
6. Turn the Temperature control knob to the required setting for different types of fabric.
Now steam ironing can begin.

SPRAY FUNCTION

1. Before using the spray feature, check the fabric label for ironing instructions because some fabrics may be spotted or stained with moisture.
2. The spray feature is particularly helpful for removing stubborn wrinkles and where extra dampening is needed. The spray may be used with steam or dry ironing. Simply press the Spray Mist knob when spray is desired.

DRY IRONING FUNCTION

1. Position the iron vertically.
2. Plug the iron.
3. Set Steam regulating Knob to MIN position.
4. Preheat the iron until the indicator light goes out
Now dry ironing can begin.

BURST OF STEAM

1. The burst of steam feature provides additional steam for removing stubborn wrinkles. It may be used with steam or dry ironing.
2. Ensure that the water tank has water filled upto 'MAX' level indicator
3. Turn the temperature control knob to " ●●● " (3 dots) level and power on
4. Press the Steam Burst button to release the surge of steam. Pressing the button several times may be necessary to prime the surge system. Wait a few seconds for the steam to penetrate the fabric before pressing the button again for more steam

Note:

For optimum steam quality, do not apply more than three successive shots after the indicator light goes off.

VERTICAL STEAM

1. This feature is mainly used for hanging clothes, curtains or any other fabric. Do not use this directly on clothes worn by humans or pets as it will cause heavy burns to the body
2. Ensure that the water tank has water filled below 'MAX' level indicator
3. Turn the temperature control knob to " ●●● " (3 dots) level and switch the power on
4. Once the Iron has been heated, hold the Iron 10-15 cm away from the fabric having vertical steaming. Press the Burst of the steam button
5. Initially the button might be needed to be pressed 4-5 times with few seconds interval, before a burst of steam comes out of the steam holes onto the cloth being ironed
6. You can use this feature till such wrinkles dissipate from the desired area




SELF CLEAN FUNCTION

IMPORTANT: Your iron will give the best ironing results and last longest if you apply the Self Cleaning once a month, or more depending upon the usage.

1. Filling the water tank up to half with water.
2. Position the iron on its rear heel.

3. Select the temperature control dial to 'MAX'.
4. Plug the iron.
5. Allow the iron to heat up until the indicator light first goes out.
6. Unplug the iron from the electrical outlet.
7. Keep the iron horizontally over the sink.
8. Press down the 'Self Clean' button all the time. Boiling water and steam will now emit from the holes in the soleplate.
9. Move the iron forwards and backwards while this happens; go on letting steam and water escape until the water tank is virtually empty.
10. Release the 'Self Clean' button.
11. Plug in the iron
12. Set the temperature dial to the 'MAX' position, let the iron heat up again, the remainder of the water inside the steam chamber will now vaporize and leave the iron through the soleplate. During this process of dry steaming it is advised to use it over and old piece of cloth.

INSTRUCTION FOR USE

Material of the Cloth	Temperature setting	Marks on Clothes	Preferable Ironing Method
Man-made Cotton	●		Ironing on inner surface of clothes without any steam or cover a piece of cloth on the clothes you want to iron
Synthetic Fibre	●		Dry ironing the inner surface of your clothes
Silk	● ●		Dry ironing the inner surface of your clothes
Wool	● ●		
Cotton	● ● ●		According to the thickness and the type of cloth to be ironed with steam. For some fuscous clothes, we'd better adopt to the inner surface ironing
Linen	● ● ●	