

EVEREADY

Appliances



SLOW JUICER



EVEREADY >>>
INDUSTRIES INDIA LTD.

1, Middleton Street, Kolkata-700071, India
Consumer Care - address as above - Ph. 1800-102-4041
Email: appliancecare@eveready.co.in

LYSA

2 YEAR
WARRANTY

150W

USER MANUAL

* Images are only indicative.
Actual product may differ from the one shown on the carton.

IMPORTANT SAFEGUARDS

This product is designed and intended for household use only.

Please read all the instructions carefully before using Eveready Slow Juicer. Even if you are familiar with the product, place it handy for ready-reference.

1. To protect against risk of electrical shock, do not put main body (motor) in water or any liquid.
2. Children should be supervised to ensure that they do not play with the appliance.
3. Do not operate any appliance with damaged cord or plug or after the appliance malfunctions, or it is dropped or damaged in any manner. Return the appliance to the nearest authorized service agent for examination, repair or electrical or mechanical adjustment.
4. If the supply cord is damaged, it must be replaced by the manufacturer, its service agent or similar qualified person in order to avoid hazards.
5. Always unplug when it is not in use or before assembling or taking off parts or cleaning.
6. Avoid touching all moving parts.
7. Do not use any attachments which is not supplied by the manufacturer, otherwise it may lead to fire, electrical shock or other injury.
8. Always ensure to switch off the appliance and motor has been stopped completely before disassembling.
9. Do not put your fingers or any foreign body into the juicer when it is working. If food is stuck in the inlet, use pusher to push it down or use reverse switch to release that. If this manner can not solve the problem, then stop the juicer immediately and after ensuring that the motor is stopped completely, disassemble the appliance to remove food.

10. Do not use the appliance outdoor.

11. Do not use the appliance for other than intended purpose.

12. Do not put any parts into any dishwasher for cleaning.

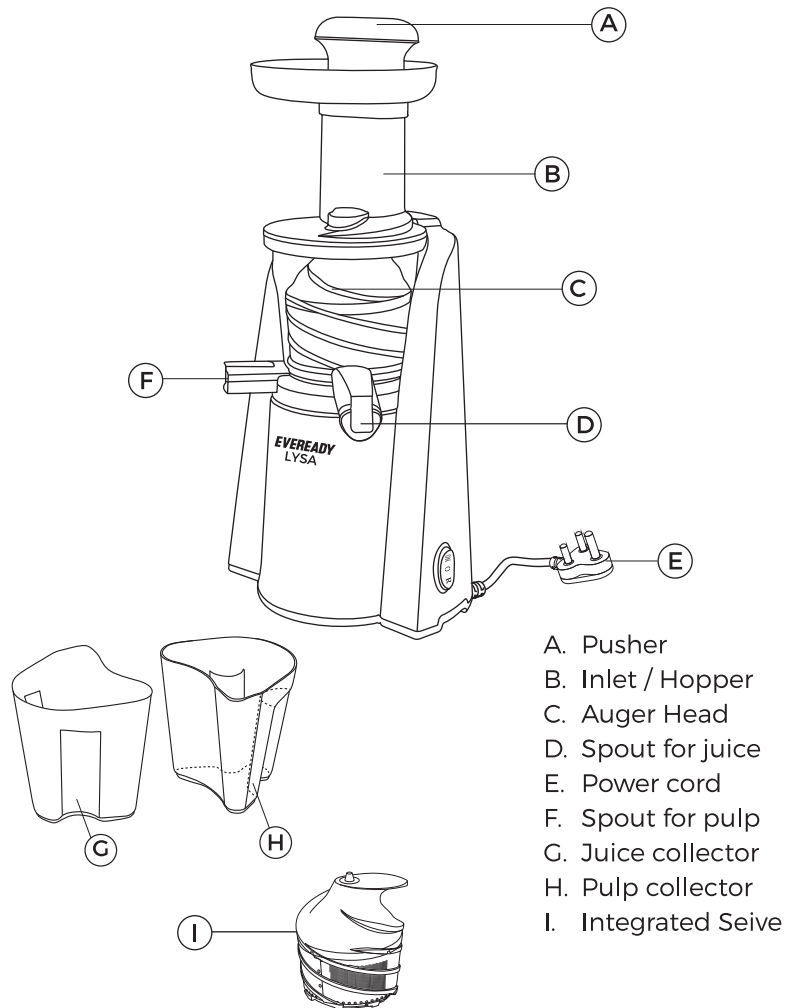
13. Do not use the appliance more than 20 min. constantly, to avoid damage of motor. Use it again until the appliance is cool (Around 20 min.).

14. Do not use appliance to extract hard materials, like large seeds, ice, frozen fruit and so on.

15. This appliance is not intended for use by persons (Including children) with reduced physical, sensory or mental capabilities, or lack of experience and knowledge, unless they have been given supervision or instruction, concerning the use of the appliance by a person responsible for their safety. Children should be supervised to ensure that they do not play with the appliance.

16. Switch off the appliance and unplug from the socket before changing accessories or approaching parts that move in using.

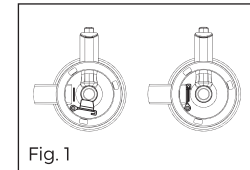
PARTS IDENTIFICATION



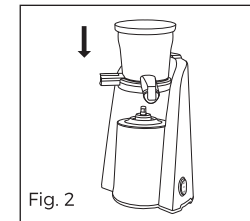
Note: Do not operate this appliance with empty bowl, otherwise it will speed up abrasion of parts.

ASSEMBLY INSTRUCTIONS

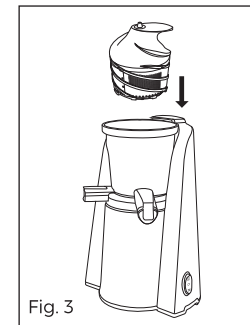
Important: Prior to assembling the juicer, please check this point: at the base of bowl, there is a rubber stopper, correctly fix the stopper to ensure that all of the juice only exits via the juicer outlet, before extracting, always ensure that the rubber stopper is firmly in place. See fig. 1



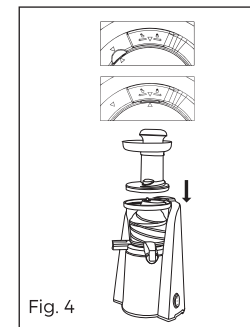
1. Assemble the bowl onto the base. Put the bowl on the base and clockwise rotate to lock the bowl. Make sure that the bowl is always locked on the base tightly. See fig. 2



2. Insert the auger head into the bowl, make sure the auger head's axes must be tightly fixed on the base's axis. See fig. 3



3. Assemble hopper onto the bowl. Align the bowl and hopper, cover the hopper and then rotate the hopper clockwise. See fig. 4



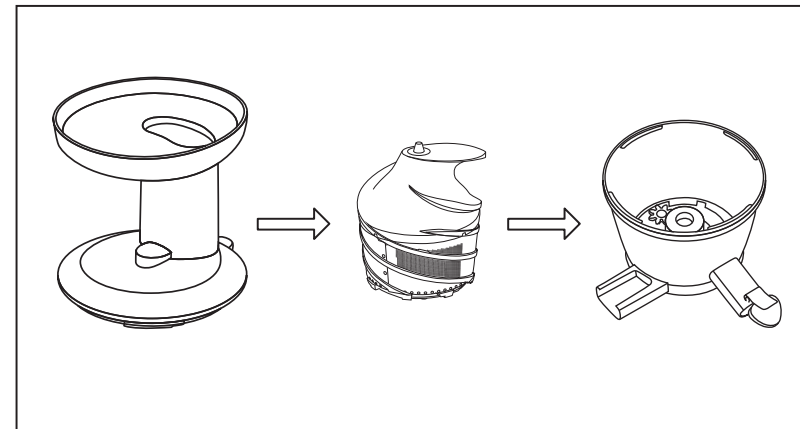
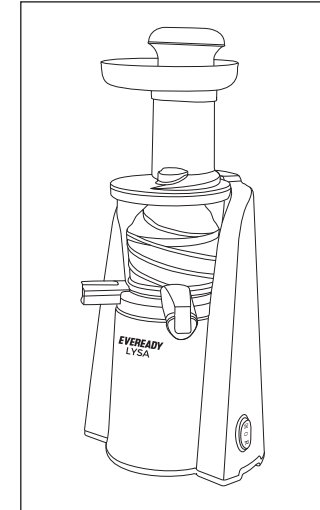
OPERATING INSTRUCTIONS

Important:

- Do not switch on the appliance without any ingredients in it
 - Do not operate the appliance more than 20 min. at a time
1. Plug in appliance.
 2. Place jars under outlet of juice and outlet of pulp.
 3. Switch Functions: ON / OFF / REV - see switch button on product
 - A. ON - Starts the motor and juicing process.
 - B. OFF - Switch off the appliance.
 - C. REV - Reverse rotation, only use this function when something is stuck in the bowl and need to be unclogged.
 4. Put ingredients into the hopper to extract juice.
 - Ensure pieces are not large when pushing into the hopper to avoid clogging
 - Remove hard seeds or pips or other hard part of material
 - Do not overstuff the hopper or force material in. Put material slowly one by one. The pusher to be used if materials are stuck-up
 5. Switch on juicer to extract the juice, at the same time put materials into the hopper one by one as step 4.
 6. If ingredients are stuck or clogged, stop the juicer and then shift switch to REV to unclog ingredients. If such action is not working, stop the juicer and disassemble hopper to clean material, then assemble the hopper again to go on work. (Very important: Before disassembling the hopper, unplug the unit from the power socket).
 7. When finished, leave juicer for a while, switch off the juicer and unplug from the power socket.

HOW TO CLEAN THE JUICER

1. Switch off the juicer and unplug from the power socket before cleaning.
2. As per step of assembling reverse method to be done, to disassemble all parts of juicer one by one.
3. Use a brush to clean all parts under water tap.
4. Use a damp cloth to wipe base, make sure do not let any liquid go into the base.



TECHNICAL SPECIFICATION

| | |
|---------------------|---|
| Model No. | SLOW JUICER, LYSA |
| Power | 150W |
| Voltage | 230V |
| Frequency | 50Hz |
| Class of Appliance | F class stator and dual coated armature |
| Speed RPM | 75 RPM |
| Max. Operation time | 20 minutes |

TROUBLESHOOTING

| PROBLEM | POSSIBLE CAUSE | WHAT TO DO |
|---------------------------------|--|--|
| No power to work | Juicer is not plugged in correctly | Check the juicer to plug in tightly |
| | Incorrect to assemble hopper | Re-assemble the hopper correctly |
| Motor is stopped during working | Bowl is overfill with material | Press the reverse button to unclog material. If it is not working, then disassemble hopper to clean material and then assemble hopper again to try. If juicer still is not working, stop juicer and call the service agent |
| | Hard material inside or much fibre inside that cause juicer be stuck | |

TROUBLESHOOTING

| PROBLEM | POSSIBLE CAUSE | WHAT TO DO |
|---|---|--|
| Leakage from beneath the bowl | Rubber plug on the base of bowl is not inserted correctly | Disassemble all parts to check rubber plug and re-plug in correctly |
| Stain on the bowl, filter, spinning brush | Natural color from juicing materials | This is perfectly normal |
| Squeaking noise during working | Juicing noise from squeezing screw | This is perfectly normal. Ensure you did not overstuff material |
| | | stop juicer to disassemble hopper to clean material |
| Damage filter | Frozen material, seeds, pips, and other hard material in bowl | Ensure that you have read the manual carefully and operate correctly |