

TROUBLESHOOTING

Failures	Reasons	Treatment
The heating indicator light is off.	Failures of the temperature controller.	Contact with Eveready Authorized Service Facility for repair.
No water is coming out from the hot water outlet.	<ol style="list-style-type: none"> 1. The running water supply is cut off. 2. The hydraulic pressure is too low. 3. The inlet valve of the running water is not open. 	<ol style="list-style-type: none"> 1. Wait for the restoration of the running water supply. 2. Use the water heater again when the hydraulic pressure is increased. 3. Open the inlet valve of the running water.
The water temperature is too high.	Failures of the temperature control system.	Contact with Eveready Authorized Service Facility for repair.
Water leaks.	Sealing problem of the joint of each pipe.	Seal up the joints properly.

EVEREADY >>>
INDUSTRIES INDIA LTD.

1, Middleton Street, Kolkata-700071, India
Consumer Care - address as above - Ph. 1800-102-4041
Email: appliancecare@eveready.co.in

EVEREADY

Appliances



WATER HEATER



DOMINICA15VM
DOMINICA25VM
DOMINICA35VM
DOMINICA50VM

2 YEAR
WARRANTY

WARRANTY
7 YEAR ON INNER TANK | 3 YEAR ON HEATING ELEMENT

2000W

USER MANUAL

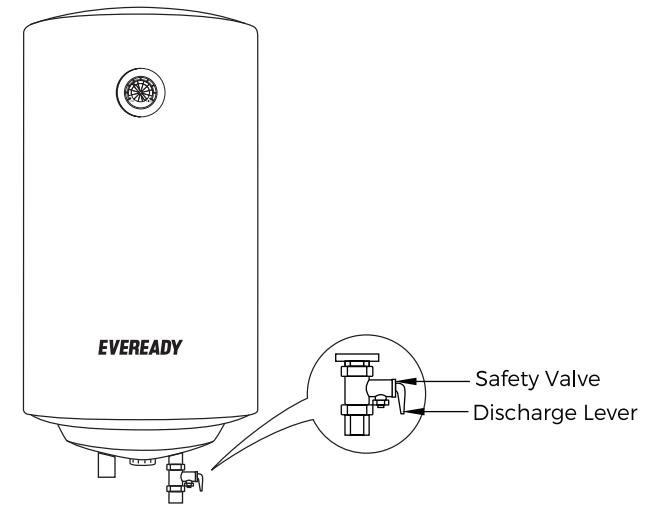
* Images are only indicative.
Actual product may differ from the one shown on the carton.

IMPORTANT SAFEGUARDS

This product is designed and intended for the household use only.

Please read all the instructions carefully before using Eveready Water Heater. Even if you are familiar with the product, then also place it handy for ready-reference.

- Before installing this water heater, check and confirm that the earthing on the supply socket is reliably grounded. Otherwise, the electrical water heater can not be installed and used. Do not use extension boards. Incorrect installation and use of this electrical water heater with such improper ways, may result in serious injuries and loss of property
- The supply socket must be earthed reliably. The rated current of the socket shall not be lower than 10A. The socket and plug shall be kept dry to prevent electrical leakages. Inspect frequently whether the plug contacts well with the socket. Inspect method is as follows: insert the power supply plug into the socket, after using for half an hour, shut down the unit and pull the plug out, and inspect the plug hands whether it scald or not. If it scalds (Over 50°C), please change with another well-contacted socket to avoid the plug being damaged, fire or other personnel accidents result from bad-contacting
- The installation height of the supply socket shall not be lower than 1.8m
- The wall on which the electrical water heater is installed, shall be able to bear the load more than two times of the heater filled fully with water without distortion and cracks. Otherwise, other strengthening measures shall be adopted
- The pressure relief valve attached with the water heater must be installed at the cold water inlet of this heater (See Fig.1) and make sure that it is not exposed in the foggy conditions. The water may be outflowed from the pressure relief valve, so the outflow pipe must open wide in the air; the pressure relief valve need to be checked and cleaned regularly, so as to make sure it will not be blocked

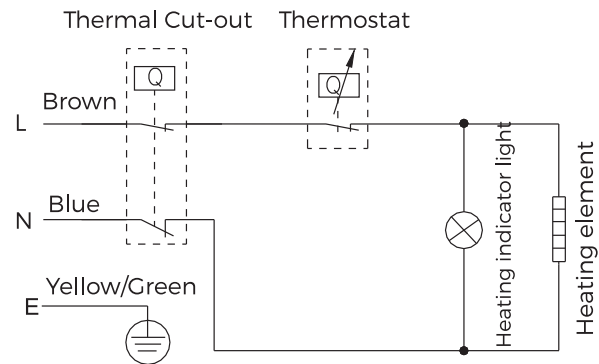


(Fig. 1)

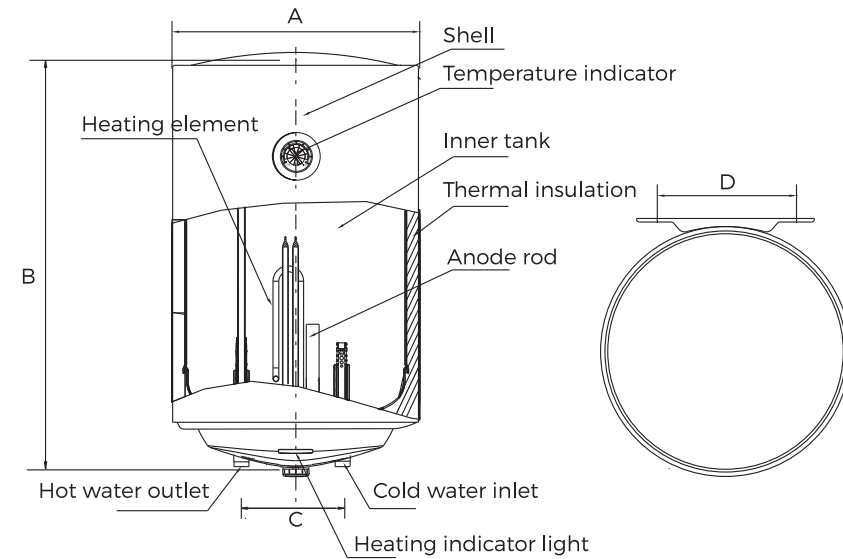
- When using the water heater for the first time (Or the first use after maintenance), the water heater can not be switched on until it has been filled fully with water. When filling the water, at least one of the outlet valves at the outlet of the water heater, must be opened to exhaust the air. This valve can be closed after the heater has been filled fully with the water
- The water heater is not intended for use by persons (Including children) with reduced physical, sensory or mental capabilities, or lack of experience and knowledge, unless they have been given supervision or instructions, concerning use of the appliance by a person responsible for their safety. Children should be supervised to ensure that they do not play with the water heater
- During heating, there may be drops of water dripping from the pressure release hole of the multifunction valves. This is a normal phenomenon. If there is a large amount of water leak, please contact with the Eveready Authorized Service Facility for repair. This pressure release hole shall, under no circumstances, be blocked; otherwise, the water heater may be damaged, even resulting in accidents

- The drainage pipe connected to the pressure release hole must be kept sloping downwards
- Since the water temperature inside the water heater can reach up to 75°C, the hot water must not be exposed to human bodies when it is initially used. Adjust the water temperature to a suitable temperature to avoid scalding
- Unscrew the thread screw on the multifunction safety valve, and lift the drain handle upwards. (See Fig. 1) to drain out the water from the inner tank
- If the flexible power supply cord is damaged, the special supply cord provided by the manufacturer must be selected, and replaced by the professional maintenance personnel
- If any parts and components of this electrical water heater are damaged, please contact with the Eveready Authorized Service Facility for repair

INTERNAL WIRING DIAGRAM



PARTS IDENTIFICATION



MODEL	DOMINICA15VM	DOMINICA25VM	DOMINICA35VM	DOMINICA50VM
A	385	385	385	385
B	440	585	730	950
C	66	66	66	66
D	200	200	200	200

(Note: All dimensions are in mm)

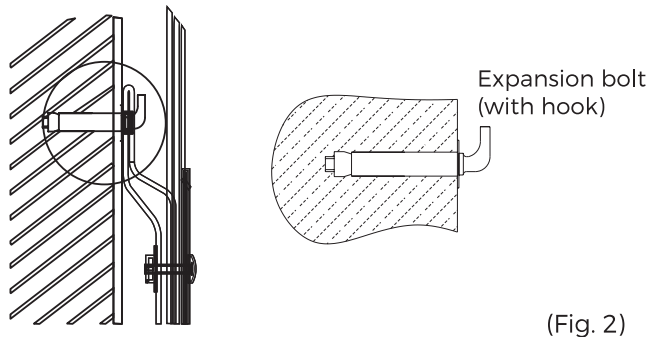
INSTALLATION PROCESS

INSTALLATION INSTRUCTIONS

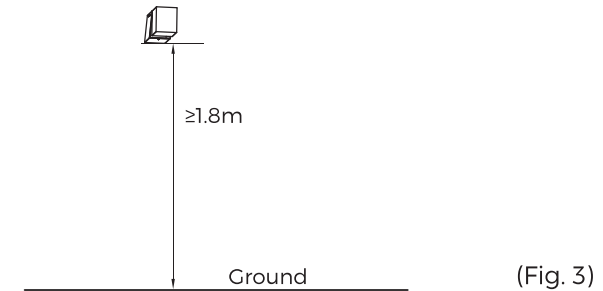
- This electrical water heater shall be installed on a solid wall. If the strength of the wall cannot bear the load equal to two times of the total weight of the heater filled fully with water, it is then necessary to install a special support

In case of hollow bricks wall, ensure to fill it with cement concrete completely

- After selecting a proper location, determine the positions of the two install holes used for expansion bolts with hook (Determined according to the specification of the product you select). Make two holes in the wall with the corresponding depth by using a chopping bit with the size matching the expansion bolts attached with the appliance, insert the screws, make the hook upwards, tighten the nuts to fix it firmly, and then hang the electrical water heater on it (See Fig. 2)



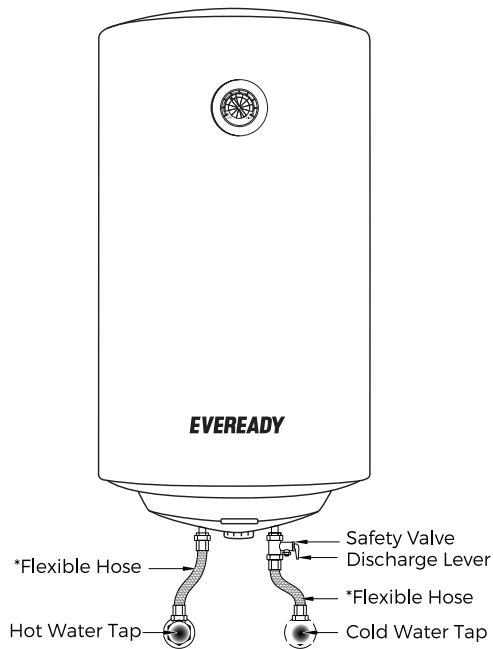
- Install the supply socket on the wall. The requirements for the socket are as follows: 230V/10A, single phase, three electrodes. It is recommended to place the socket on the right above the water heater. The height of the socket to the ground shall not be less than 1.8m (See Fig. 3)



- If the bathroom is too small, the electrical water heater can be installed at another place without sun-scorched and drenched with rain. However, in order to reduce the pipeline heat losses, the installation position of the water heater shall be closed to the location shall be as near as possible to the water heater

PIPELINES CONNECTION

- The dimension of each of the pipe part is G1/2"; The massive pressure of the inlet should use Pa as the unit; The minimum pressure of inlet should use Pa as the unit
- Connect the pressure relief valve with the water heater on the inlet of the water heater
- In order to avoid leakage when connecting the pipelines, the rubber sealed gaskets provided with the water heater must be added at the end of the threads to ensure about the leak proof joints (See Fig. 4)



(Fig. 4)

*Flexible Hoses to be procured by the customer, not part of the standard product.

NOTE:

Please be sure to use the accessories provided by the company to install this electrical water heater. This electrical water heater can not be hung on the support until it has been confirmed to be firm and reliable. Otherwise, the electrical water heater may drop off from the wall, resulting in damage of the water heater, even serious accidents of injury. When determining the locations of the bolt holes, it shall be ensured that there is a clearance not less than 0.2m on the right side of the electrical water heater, to convenient the maintenance of the water heater, if necessary.

HOW TO USE

- Insert the supply plug into the supply socket
- First, open any one of the outlet valves at the outlet of the water heater, then, open the inlet valve. The water heater gets filled with water. When water flows out of the outlet pipe, it implies that the water heater has been filled fully with water, and the outlet valve can be closed at that condition
- Adjust the water temperature knob at the bottom of the water heater to set the temperature
- If the heating indicator light is lit, it means that the water heater is heating
- If the heating indicator light is off, it means that heating is complete and that the water heating is on standby or cut off
- Observe the water temperature indicator for the current water temperature
- Water heating will be on standby automatically when the water temperature reaches the set temperature. Once it lowers to certain temperature, power will be automatically connected
- Observe the water drainage of the safety valve's pressure-relief hole

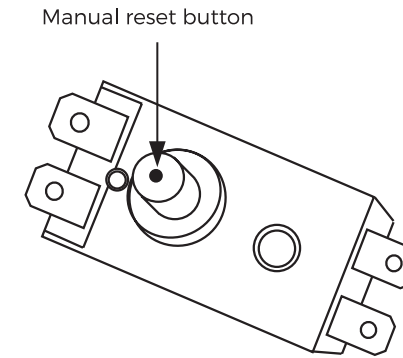
When the water pressure is $\geq 0.80\text{MPa}$ and the pressure-relief hole on the safety valve emits large volume of water, it means that the water pressure is excessive. Please contact with the Eveready Authorized Service Facility for repair.

NOTE:

During normal operation, the inlet valve shall be always kept open.

MAINTENANCE

- Check the power plug and outlet as often as possible. Secure electrical contact and also proper grounding must be provided. The plug and outlet must not heat excessively
- If the water heater is not used for a long time, especially in regions with low air temperature (Below 0°C) it is necessary to drain water from the water heater to prevent any damage of the water heater, due to water freezing in the internal tank
- To ensure long and reliable water heater operation, it is recommended to regularly clean the internal tank and remove deposits on the electric heating element of the water heater, as well as check condition (Fully decomposed or not) of the magnesium anode and, if necessary, replace it with a new one in case of full decomposition. Tank cleaning frequency depends on the hardness of water located in this territory. Cleaning must be performed by authorized service personnel. Please contact with the Eveready Authorized Service Facility for repair
- The water heater is equipped with a thermal switch, which cuts off power supply of the heating element upon water overheating or its absence in the water heater. If the water heater is connected to the mains, but water is not heated and the indicator doesn't light up, then the thermal switch was switched off or not switched on. To reset the water heater to the operating condition, it is necessary to:
 1. De-energize the water heater, remove the plate of the side/lower cover.
 2. Press the button, located at the centre of the thermal switch, (See Fig. 5).
 3. If the button is not pressed and there is no clicking, then you should wait until the thermal switch cools down to the initial temperature.



(Fig. 5)

WARNING:

Non-professionals are not allowed to disassemble the thermal switch to reset. Please contact with the Eveready Authorized Service Facility for repair.

TECHNICAL SPECIFICATION

Model	Volume (L)	Rated Power (W)	Rated Voltage (AC)	Rated Pressure (MPa)	Max Water Temperature (°C)	Protection Class	Water Proof Class
DOMINICA15VM	15	2000	230	0.80	75	I	IPX4
DOMINICA25VM	25	2000	230	0.80	75	I	IPX4
DOMINICA35VM	35	2000	230	0.80	75	I	IPX4
DOMINICA50VM	50	2000	230	0.80	75	I	IPX4